



Centrifugal extract low-noise and low-watt fans for ceiling mounting **CEILEO DC**

FEATURES

- Intermittent or continuous ventilation of bathrooms, showers, kitchens and other domestic spaces
- For high-resistant ventilation systems
- DC motor with low energy demand
- Wide speed control range
- Integrated LED-light with low energy demand (Ceileo DC Light models)
- The modular design enables easy retrofitting with the optional humidity and motion sensors (except for the basic model) or the grille with a light
- Low noise level
- Constant air flow
- The centrifugal impeller has forward curved blades for high pressure and low noise
- The motor impeller is made of high-quality durable ABS plastic
- The fans also features a gravity backdraft damper
- Ingress protection rating IPX4
- Compatible with air ducts 100 or 150 mm in diameter

MOTOR

- The Ceileo DC fans feature high-efficient low-watt direct current motors with overheating protection.
- The constant air flow technology provides required air flow in a wide range of static pressure.

DESIGN

- The casing is made of galvanized steel.
- The clip-on plastic grille ensures easy mounting and cleaning of the fan.
- The modular design enables easy retrofitting with the optional humidity and motion sensors (except for the basic model) or the grille with a light.



- Ceileo DC Light fans are both equipped with an energy-efficient LED light

Power: 10 W

Colour temperature:

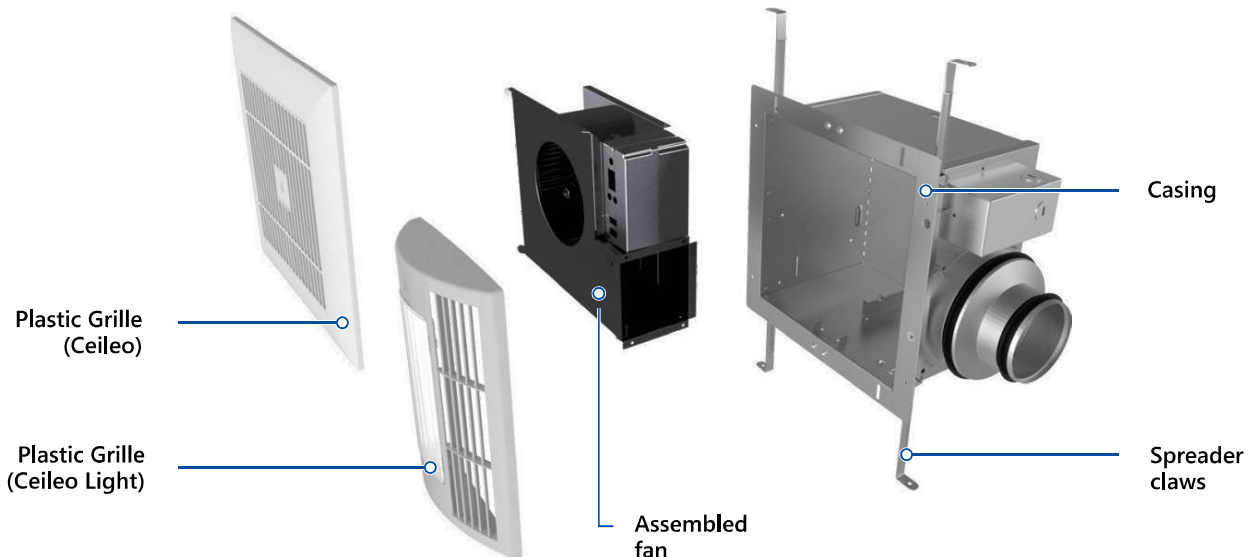
3000 K

Luminous flux:

650 lumens

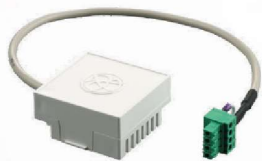


Power: 60 W

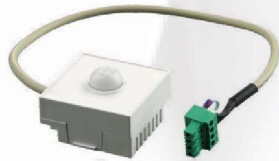


OPTIONS

Ceileo DC fans include an integrated turn-off delay timer. The fan can also be retrofitted with an optional humidity or motion sensor (available on a special order).



Humidity Sensor



Motion Sensor

CONTROL

The built-in control panel of the Ceileo DC fans enables the following settings:

- turn-off delay
- humidity level
- air flow for the modes 1 and 2

| Name | Adjustment range for operation modes 1 & 2 |
|---------------|---|
| Ceileo DC 110 | Off / 100 / 120 / 155 / 170 / 190 m ³ /h |
| Ceileo DC 150 | Off / 100 / 120 / 155 / 170 / 190 / 205 / 220 / 240 / 250 m ³ /h |

Ceileo DC control panel



MANUAL CONTROL

The fan is controlled by means of the CDP- 2/10 speed switch (available as a specially ordered accessory).



AUTOMATIC CONTROL



Timer : The fan is constantly set to Mode 1. The mode 2 is triggered by the light switch closing. Upon the light switch opening the built-in turn-off delay timer keeps the fan running in the mode 2 from 1 to 90 minutes. On elapsing of this period the fan reverts to the mode 1.

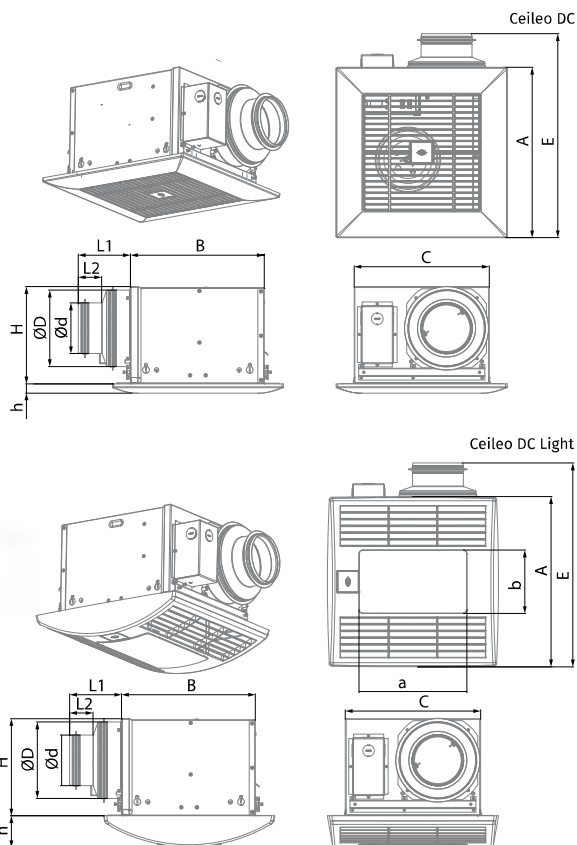


Timer and humidity sensor (available as a specially ordered accessory): the fan runs permanently in the mode 1. If the humidity level on the premises exceeds the sensor threshold value set in the 60-90 % range, the fan switches to the mode 2. When the humidity level reverts to the pre-set value, the built-in turn-off delay timer keeps the fan running in the mode 2 from 1 to 90 minutes. On elapsing of this period the fan reverts to the mode 1.



Timer and motion sensor (available as a specially ordered accessory): the fan runs permanently in the mode 1. If the motion sensor detects movement within its range, the fan goes to the mode 2. When the movement is no longer registered, the built-in turn-off delay timer keeps the fan running in the mode 2 from 1 to 90 minutes. On elapsing of this period the fan reverts to the mode 1.

OVERALL DIMENSIONS



| Dimensions [mm] | ØD | Ød | L1 | L2 | A | B | C | E | H | h | a | b |
|---------------------|-----|----|-----|----|-----|-----|-----|-----|-----|----|-----|-----|
| Ceileo DC 110 | 148 | 98 | 100 | 45 | 330 | 258 | 260 | 395 | 188 | 18 | - | - |
| Ceileo DC 110 Light | 148 | 98 | 100 | 45 | 330 | 258 | 260 | 395 | 188 | 62 | 208 | 123 |
| Ceileo DC 150 | 149 | - | 50 | - | 330 | 258 | 260 | 395 | 188 | 18 | - | - |
| Ceileo DC 150 Light | 149 | - | 50 | - | 330 | 258 | 260 | 395 | 188 | 62 | 208 | 123 |

MOUNTING

- The fan is integrated into ceiling spaces.
- The fan is attached to the ceiling joists with spreader claws and self-tapping screws.
- The flexible air duct is attached to the fan exhaust flange with a fixing clamp.



Designation Key

| Ceileo | DC | 110 | Light |
|--------|----------|----------------------|--------------------|
| Series | DC Motor | Rated air flow [CFM] | LED-lamp available |

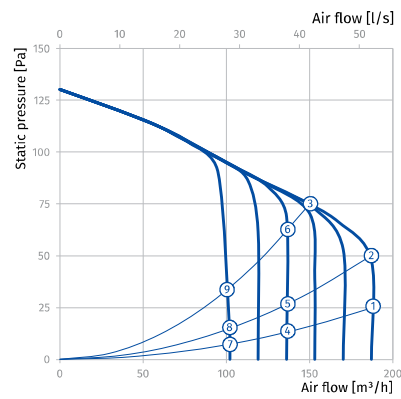
SPECIFICATIONS

| Parameters | Ceileo DC 110 Ceileo DC 110 Light | Ceileo DC 150 Ceileo DC 150 Light |
|------------------------------------|--------------------------------------|--------------------------------------|
| Voltage [V / Hz] | 120-240/50(60) | 120-240/50(60) |
| Power [W] | 19 | 26 |
| LED-light power [W*] | 2 x 10 | 2 x 10 |
| RPM [min ⁻¹] | 1100 | 1100 |
| Current @ 230 V (120 V) [A] | 0.18 (0.3) | 0.24 (0.39) |
| Air flow [m ³ /h (l/s)] | 187 (52) | 254 (71) |
| SFP [W/l/s] | 0.37 | 0.37 |
| Noise level [dB(A)] | 23-25 | 23-29 |
| Weight [Kg] | 5.3 (6.4*) | 5.1 (6.2*) |
| Ingress protection | IPX4 | IPX4 |
| SEC class | B | B |

* Only for the Light model

| Point | Power [W] | |
|-------|--------------------------------------|--------------------------------------|
| | Ceileo DC 110 Ceileo DC 110 Light | Ceileo DC 150 Ceileo DC 150 Light |
| 1 | 17 | 24 |
| 2 | 19 | 22 |
| 3 | 16 | 19 |
| 4 | 9 | 13 |
| 5 | 12 | 15 |
| 6 | 15 | 17 |
| 7 | 4 | 5 |
| 8 | 4 | 5 |
| 9 | 6 | 6 |

Ceileo DC 110
Ceileo DC 110 Light



Ceileo DC 150
Ceileo DC 150 Light

