



Direct Drive Exhaust Box Fans **AM-BF-AC**



APPLICATION

Aire Maskin Double Skin fans are specially designed for supply and exhaust ventilation of premises requiring high pressure, powerful air flow and low noise level. These fans are featured with wide capabilities and high performance. The range includes capacity from 100 cfm to 7000 cfm with pressure range from 100 Pa to 750 Pa. No condensate formation can be used for Outdoor Applications also.

AREAS OF APPLICATION

Hospitals / Isolation Rooms / COVID Wards / labs / Offices / Hotels / Bars / Industrial Buildings / Basement Rooms / Greenhouses / Parking Facilities / Warehouses / Nursing Homes / Schools / Sports Halls / Super Markets / Workshops / Residential Houses / Fitness Centers

DESIGN

Casing:

- The housing is made of an extruded aluminium anodized profile with corners made of plastic.
- **OPTION I** - Double skinned (25mm / 50 mm) galvanized steel panels insulated with Puff Insulation. Outer GSS sheet minimum 0.8 mm thick and inner 0.6 mm thick as standard. The inner and outer thickness can be increased as per client requirement.
- **OPTION II - PREMIUM UNITS WITH LOW NOISE LEVELS**
Double skin with Thick insulating layer of non-combustible, heat-insulated, sound that ensures silent fan operation in combination with high aerodynamic characteristics. Outer GSS sheet minimum 1 mm thick and inner 1 mm thick perforated sheet as standard. Special inner perforation of the casing and sound-insulating material is designed for wide-frequency sound absorption. The inner casing perforation let sound waves pass through the holes and fall at a specific angle to the sound absorbing layer there by making unit with low noise levels.

IMPELLERS

The impellers are balanced dynamically together with the external rotor motors at two levels according to quality level G2.5/G6.3 to DIN ISO 21940 11.

Up to size 225 : Backward curved centrifugal impellers made of plastic

Size 280 GSS

Size 315 to 630 : High efficiency backward curved centrifugal impellers made of aluminum

MOTOR

All fans are equipped with direct driven external rotor motors i.e the motors is fitted with impeller with low energy demand .This makes unit compact and hence a lot of space is saved.The motor comes with double ball bearing motor with built in thermal overload protection and Class F Insulation. In addition External rotor motors have extremely low starting currents and the windings have a standard moisture impregnation.

Offered Range Motor Impeller assembly is Imported from Rosenberg GmbH Germany.

WIRING

The junction / terminal box is affixed to the motor housing.

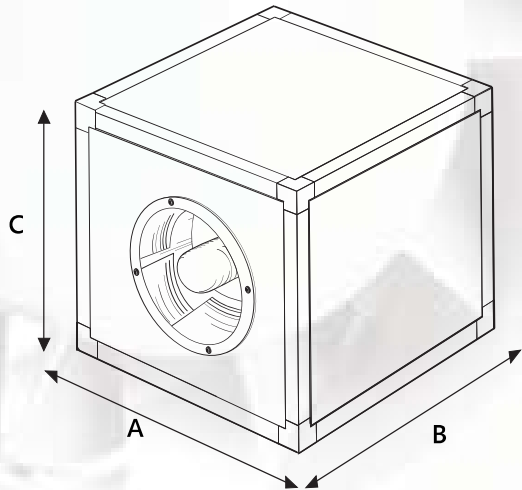
SPEED CONTROL

Smooth speed control is possible with an external thyristor speed controller (available upon separate order)

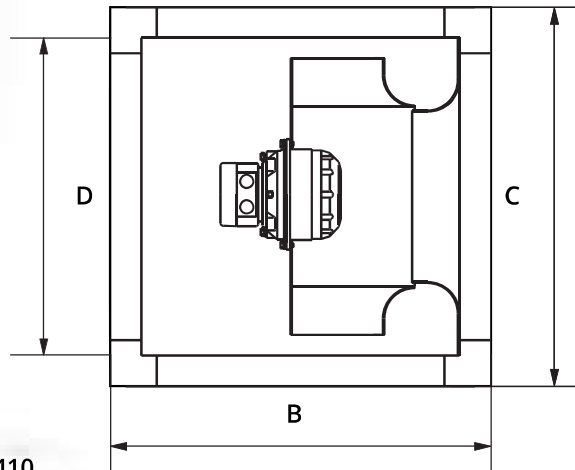
INSTALLATION & SERVICE

- During Supply One side of the casing is open as standard for connecting duct.
- Discharge possible in any 3 direction as per image shown with performance curve.
- Access doors are given which makes the fan maintenance fast and easy.

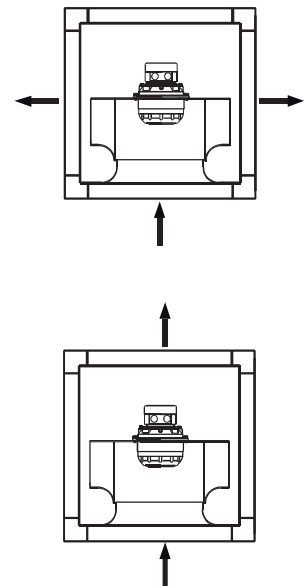
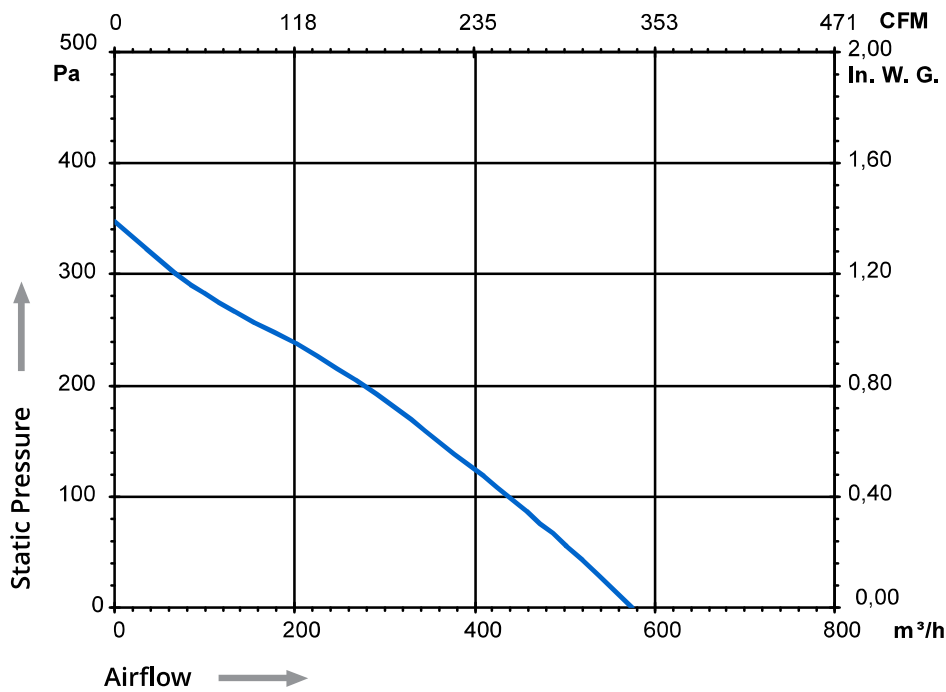
AM- BF- AC- 192



A = 410
B = 410

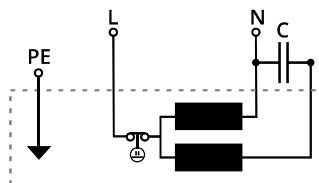


C = 410
D = 350



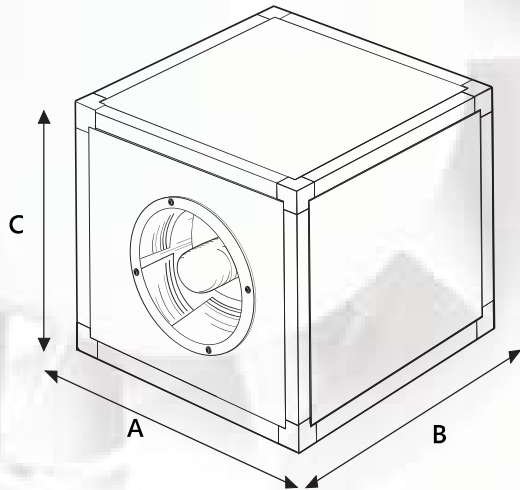
SPECIFICATIONS

Voltage [V]	Power [W]	Current [A]	Frequency [Hz]	Capacitor [μF]	RPM	dBA	Temp min / max	Weight	IP 44
230	62	0.28	50	2.0	2510	52	-20°C / +70°C	15 Kg	IP 44

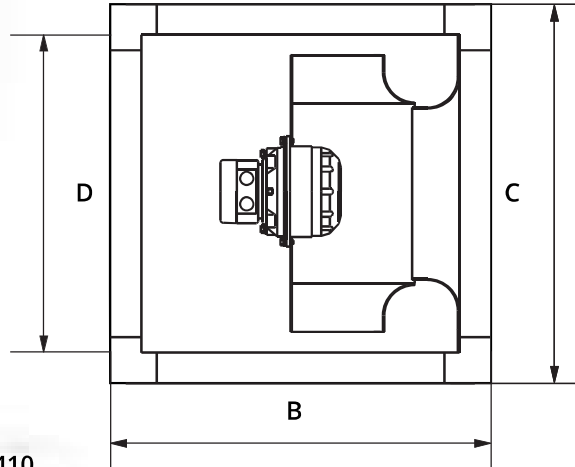


PE - Green / Yellow
L - Blue
N - Black
C - Brown

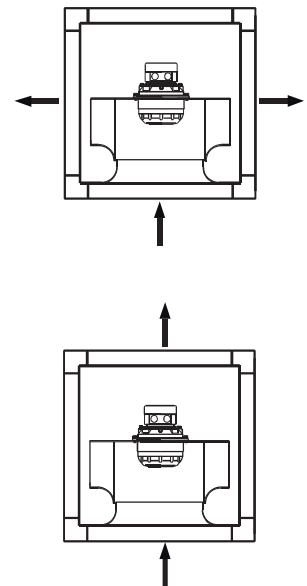
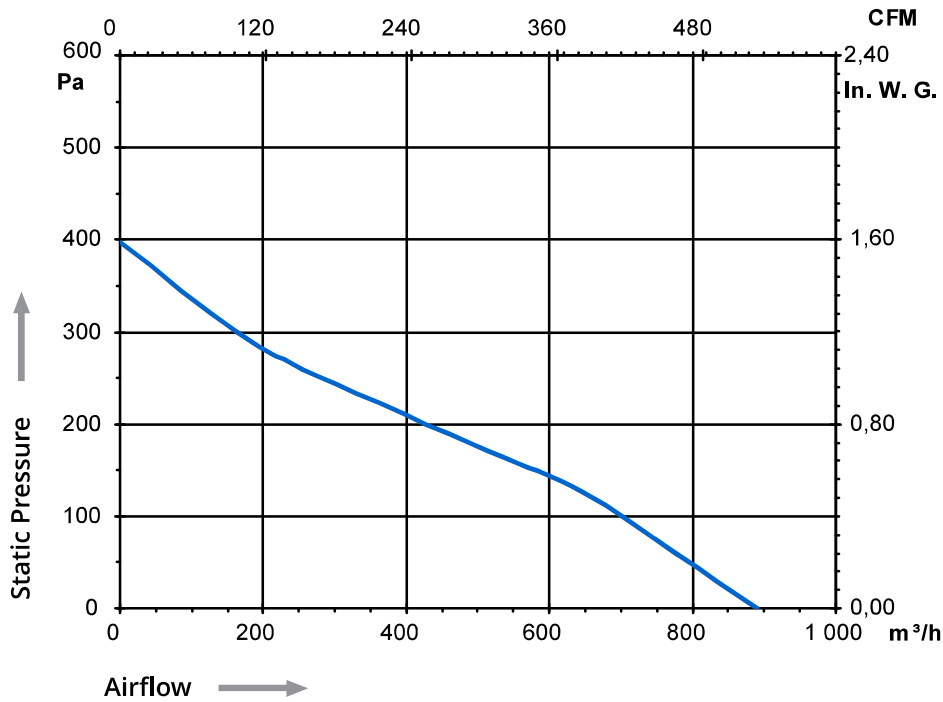
AM- BF- AC- 220



A = 410
B = 410

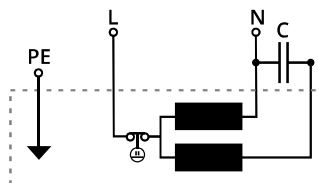


C = 410
D = 350



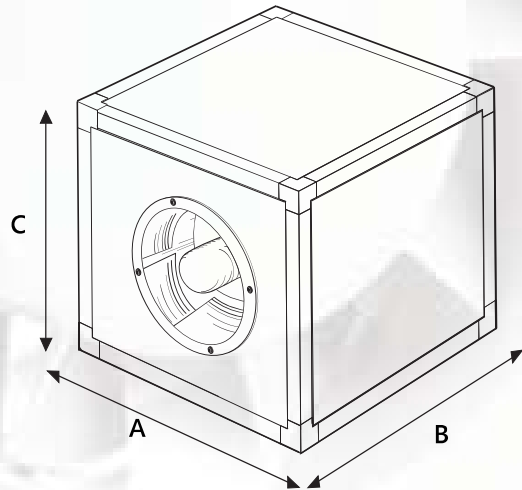
SPECIFICATIONS

Voltage [V]	Power [W]	Current [A]	Frequency [Hz]	Capacitor [μF]	RPM	dBA	Temp min / max	Weight	IP 44
230	84	0.38	50	2.0	2350	52	-20°C / +60°C	18 Kg	IP 44

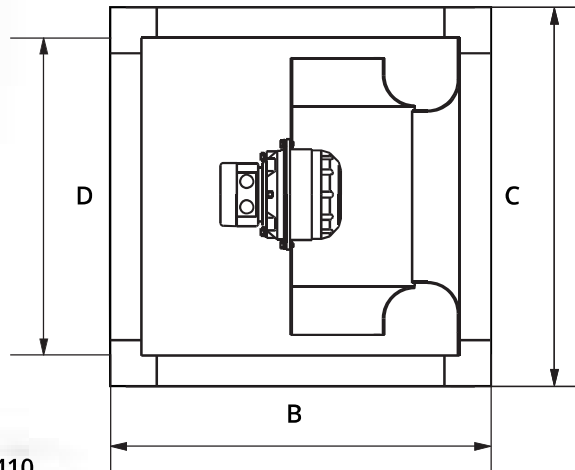


PE - Green / Yellow
L - Blue
N - Black
C - Brown

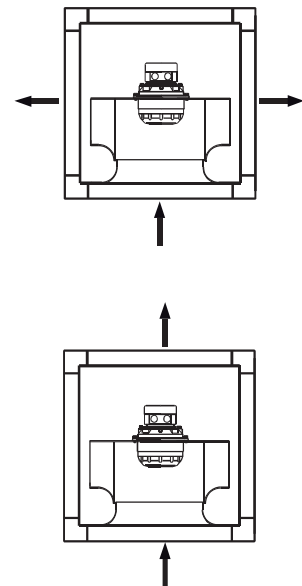
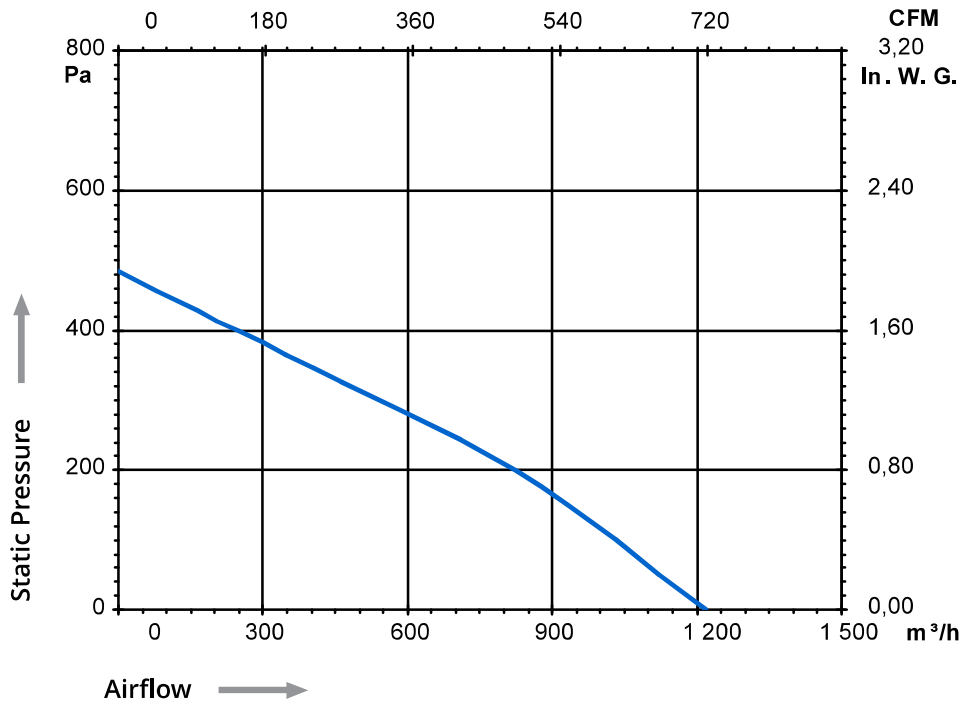
AM- BF- AC- 225



A = 410
B = 410

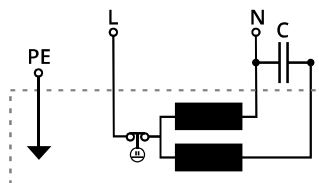


C = 410
D = 350



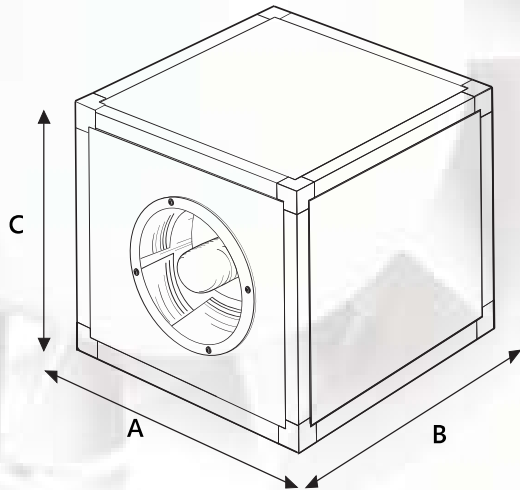
SPECIFICATIONS

Voltage [V]	Power [W]	Current [A]	Frequency [Hz]	Capacitor [μF]	RPM	dBA	Temp min / max	Weight	IP 44
230	143	0.63	50	4.0	2505	52	-20°C / +70°C	18 Kg	IP 44

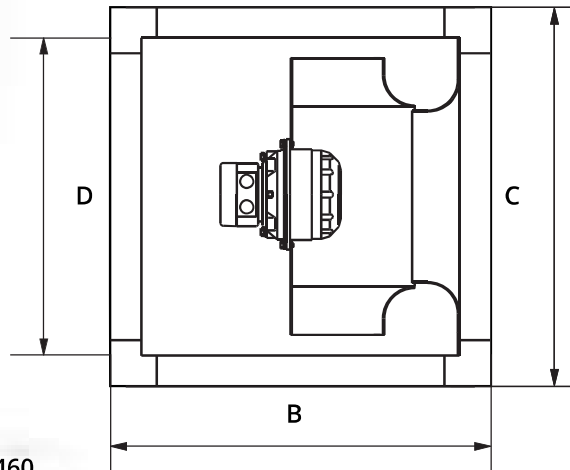


PE - Green / Yellow
L - Blue
N - Black
C - Brown

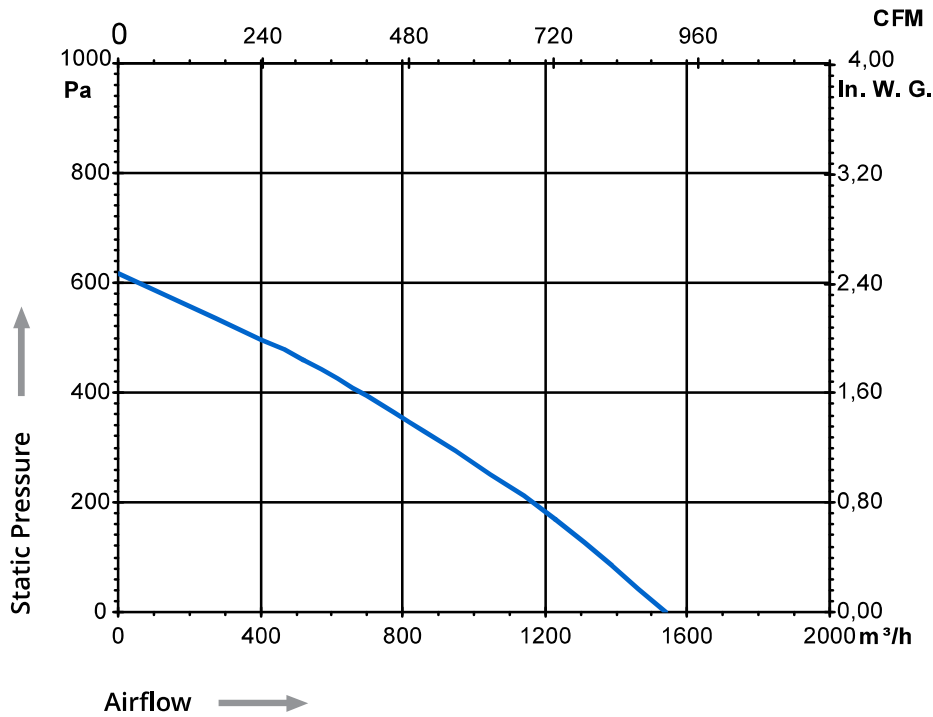
AM- BF- AC- 250



A = 460
B = 460

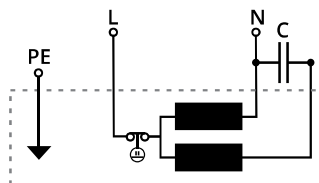


C = 460
D = 400



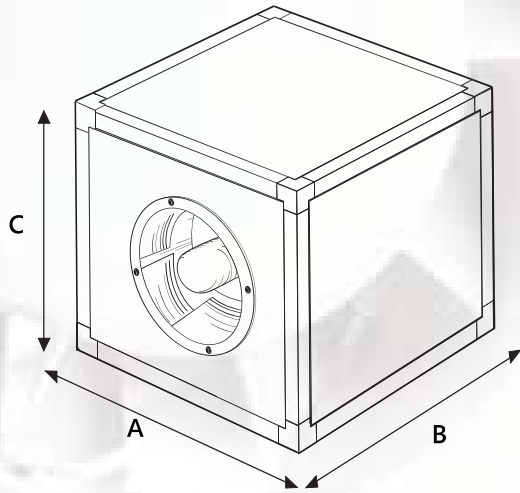
SPECIFICATIONS

Voltage [V]	Power [W]	Current [A]	Frequency [Hz]	Capacitor [µF]	RPM	dBA	Temp min / max	Weight	IP 44
230	190	0.83	50	6.0	2700	54	-20°C / +60°C	24 Kg	IP 44

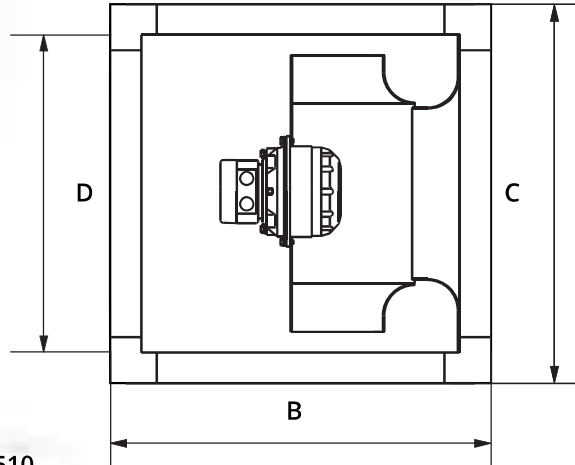


PE - Green / Yellow
L - Blue
N - Black
C - Brown

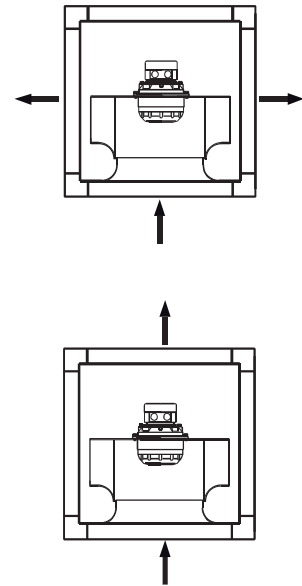
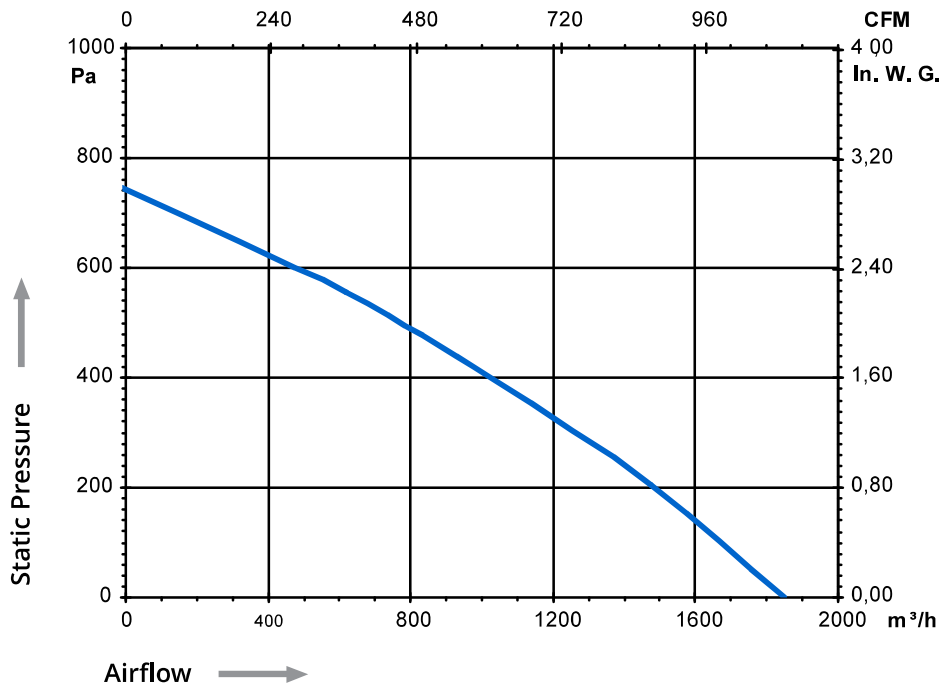
AM- BF- AC- 280x4



A = 510
B = 510

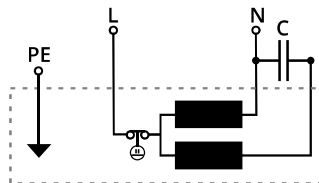


C = 510
D = 450



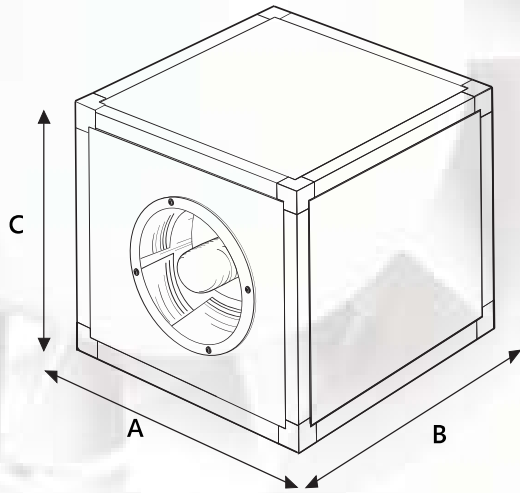
SPECIFICATIONS

Voltage [V]	Power [W]	Current [A]	Frequency [Hz]	Capacitor [μF]	RPM	dBA	Temp min / max	Weight	IP 44
230	216	0.98	50	8.0	2735	53	-20°C / +60°C	28 Kg	IP 44

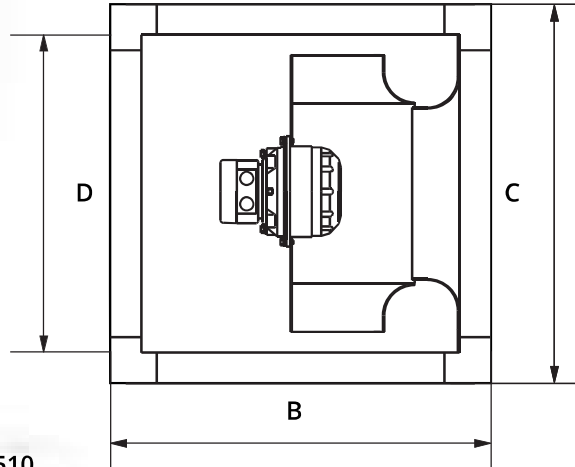


PE - Green / Yellow
L - Blue
N - Black
C - Brown

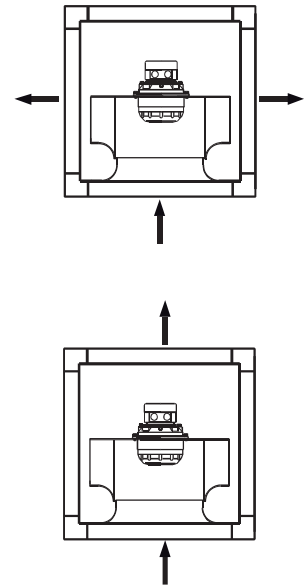
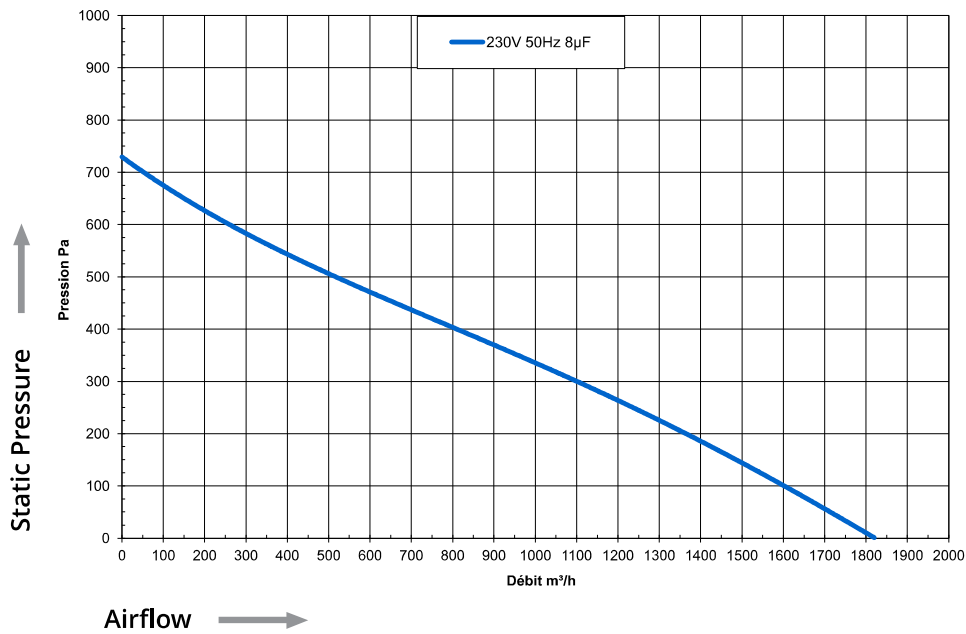
AM- BF- AC- 280x5



A = 510
B = 510

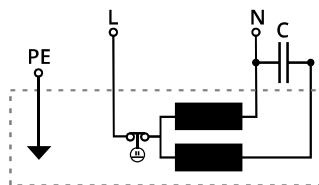


C = 510
D = 450



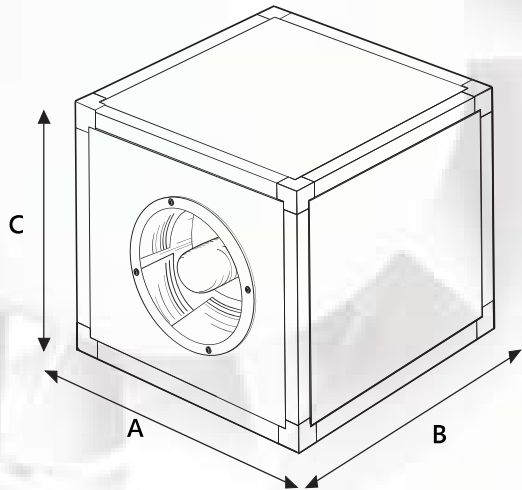
SPECIFICATIONS

Voltage [V]	Power [W]	Current [A]	Frequency [Hz]	Capacitor [µF]	RPM	dBA	Temp min / max	Weight	IP
230	225	1.02	50	8.0	2635	53	-20°C / +70°C	28 Kg	IP 44

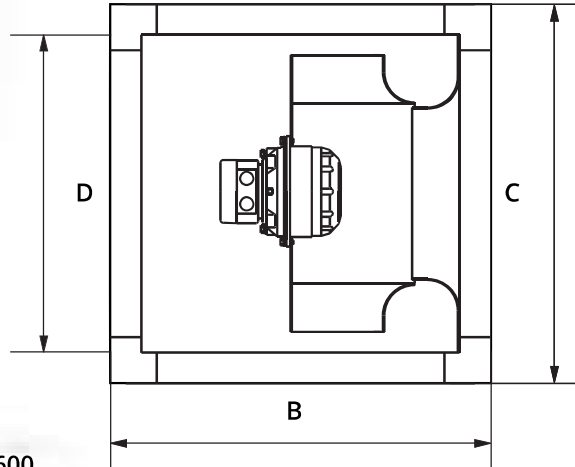


PE - Green / Yellow
L - Blue
N - Black
C - Brown

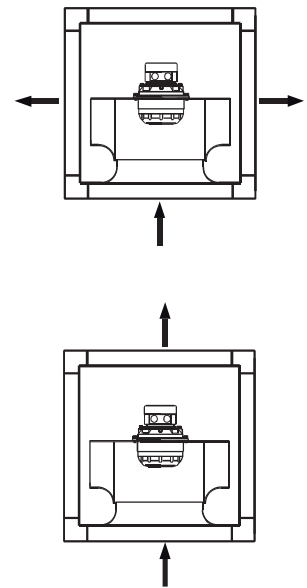
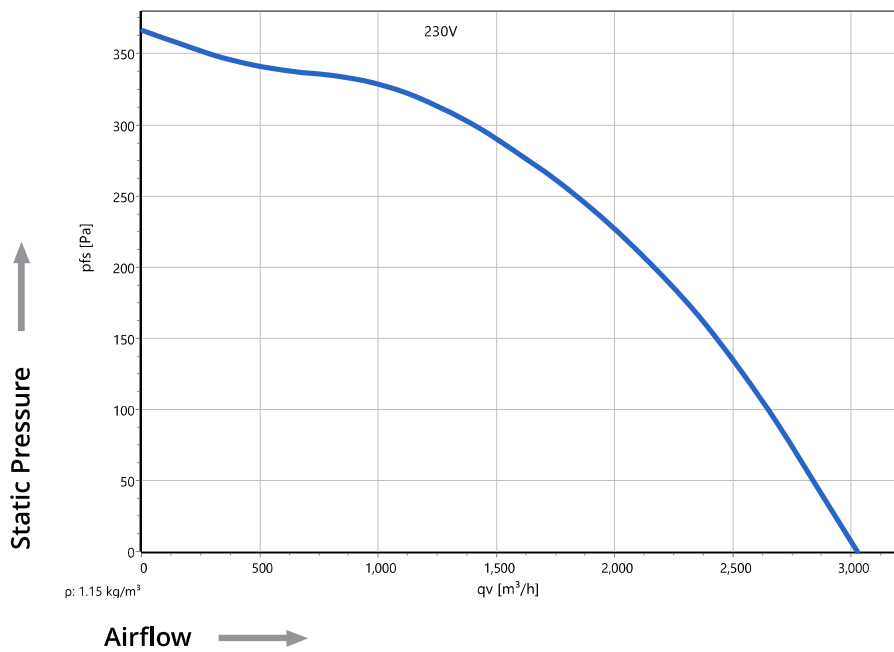
AM- BF- AC- 355



A = 600
B = 600

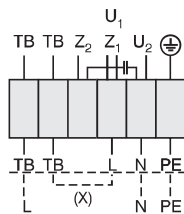


C = 600
D = 540



SPECIFICATIONS

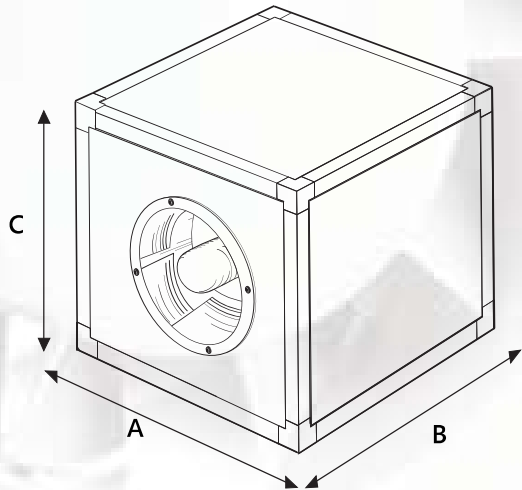
Voltage [V]	Power [kW]	Current [A]	Frequency [Hz]	Capacitor [μF]	RPM	dBA	Temp min / max	Weight	IP 54
1~230	0.4	2.12	50	10	1410	60-65	60°C	52 Kg	IP 54



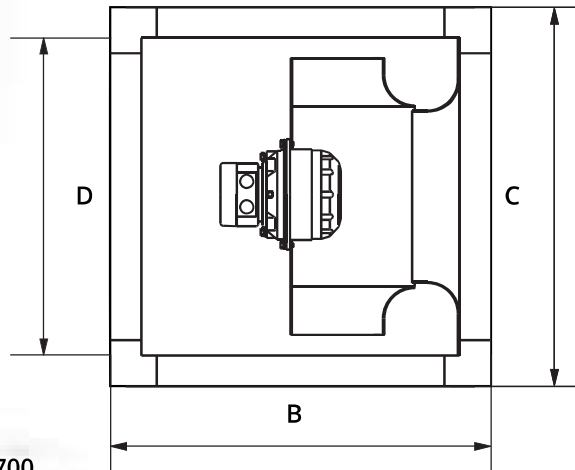
Clockwise

- U₁ Brown
- U₂ Blue
- Z₁ Black
- Z₂ Orange
- TB White
- PE Yellow-Green

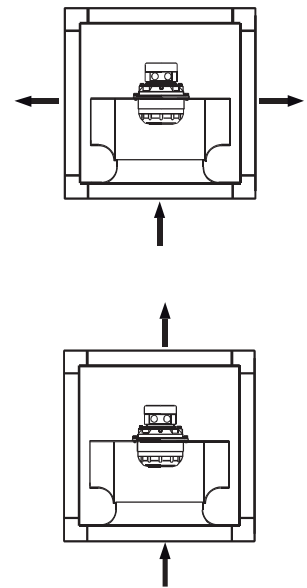
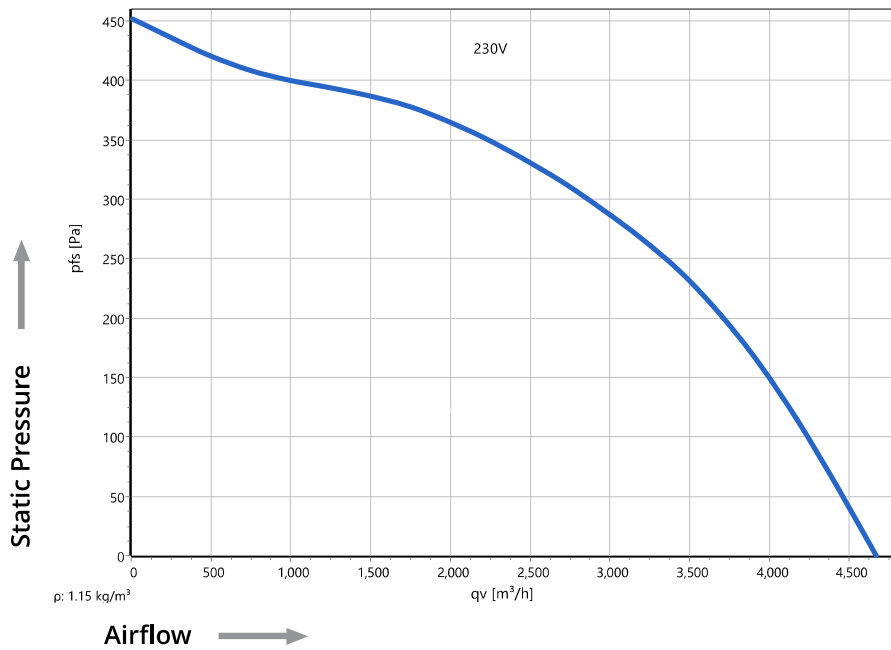
AM- BF- AC- 400



A = 700
B = 700

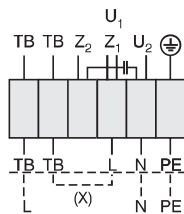


C = 700
D = 640



SPECIFICATIONS

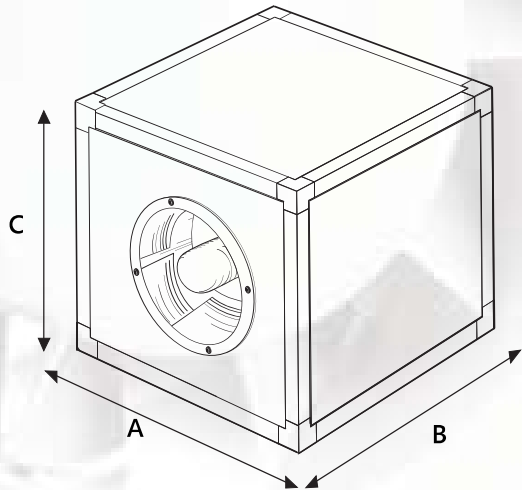
Voltage [V]	Power [kW]	Current [A]	Frequency [Hz]	Capacitor [μF]	RPM	dBA	Temp min / max	Weight	IP 54
1~230	0.6	2.8	50	12	1350	60-65	40°C	65 Kg	IP 54



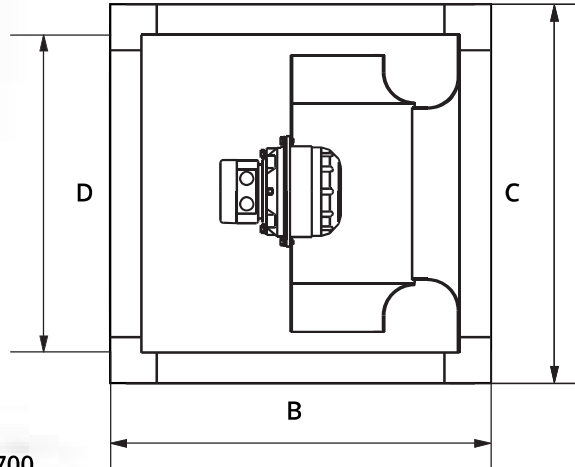
Clockwise

- U₁ Brown
- U₂ Blue
- Z₁ Black
- Z₂ Orange
- TB White
- PE Yellow-Green

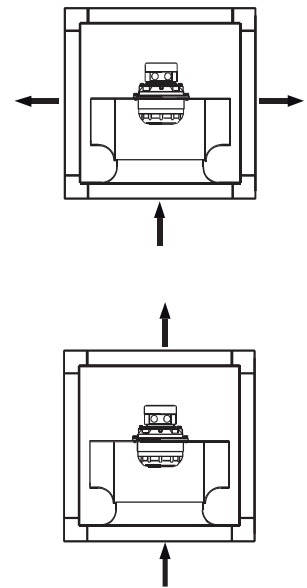
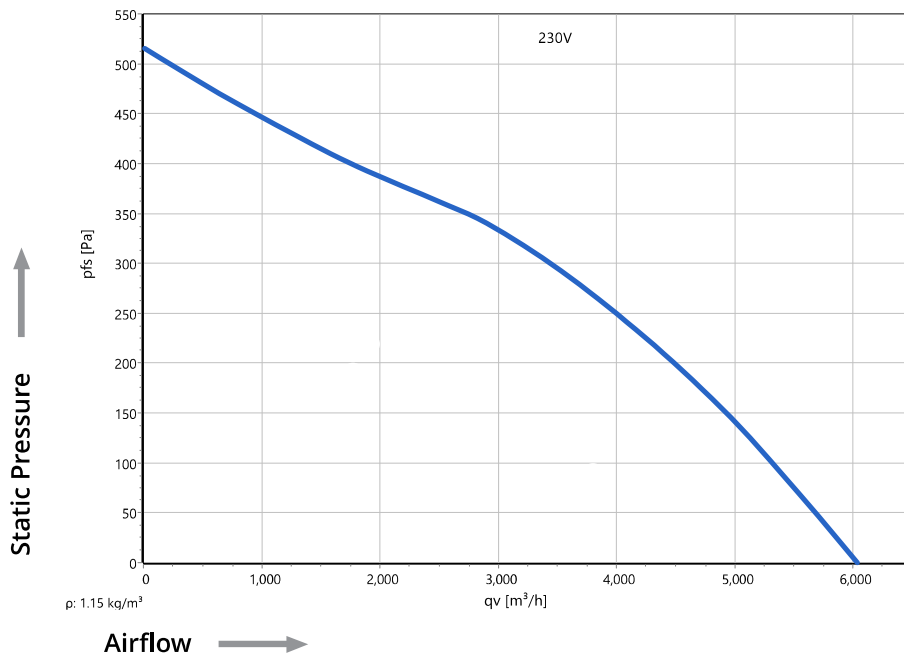
AM- BF- AC- 450 E



A = 700
B = 700

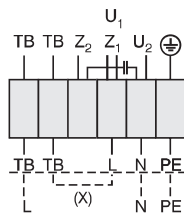


C = 700
D = 640



SPECIFICATIONS

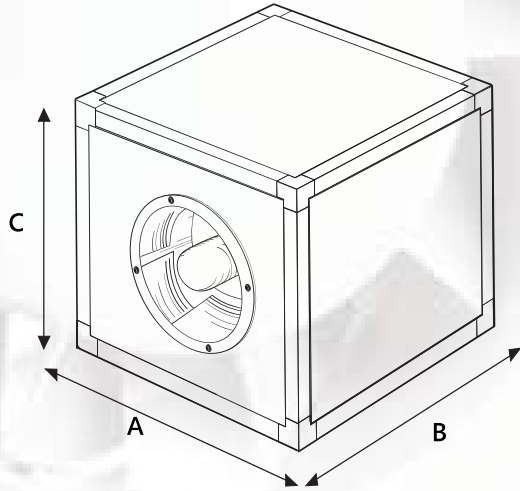
Voltage [V]	Power [kW]	Current [A]	Frequency [Hz]	Capacitor [μF]	RPM	dBA	Temp min / max	Weight	IP 54
1~230	0.82	3.7	50	16	1200	60	50°C	72 Kg	IP 54



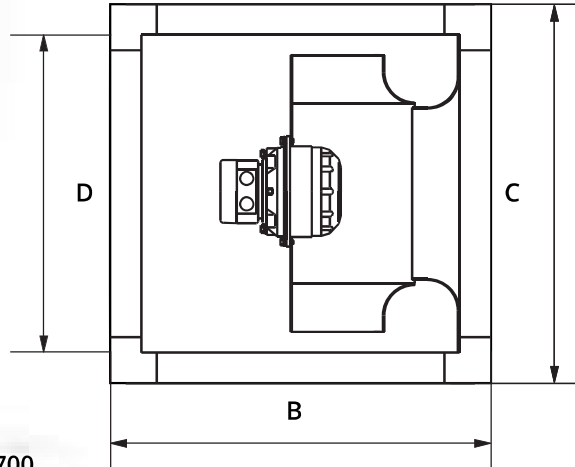
Clockwise

- U₁ Brown
- U₂ Blue
- Z₁ Black
- Z₂ Orange
- TB White
- PE Yellow-Green

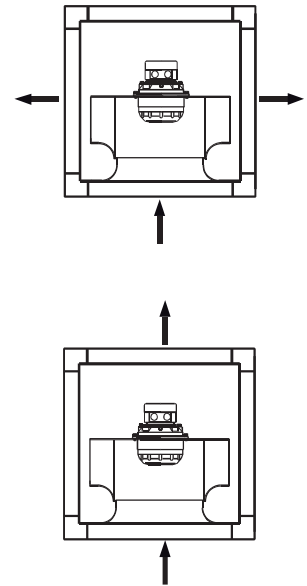
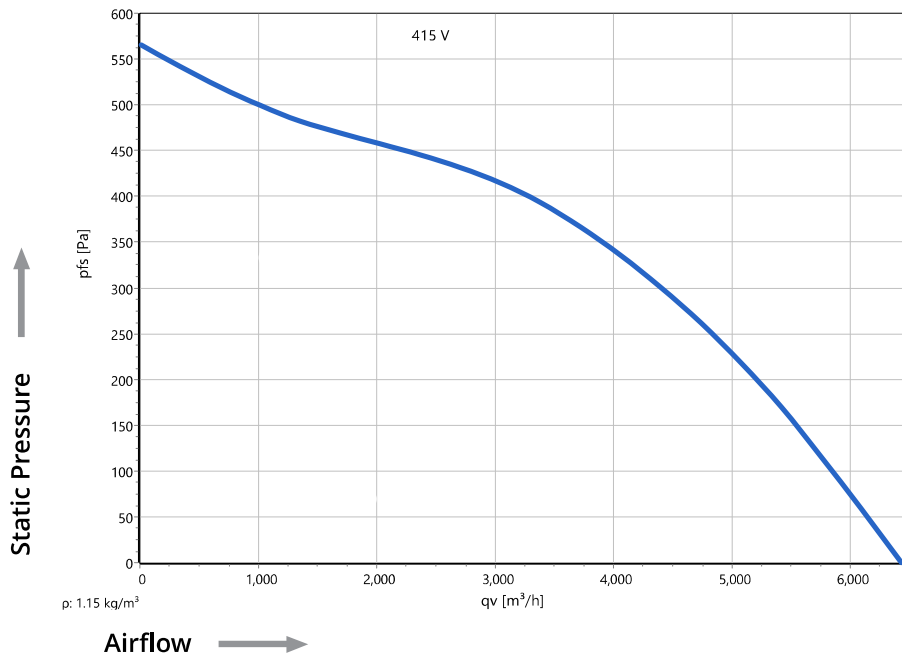
AM- BF- AC- 450 D



A = 700
B = 700

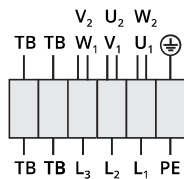


C = 700
D = 640



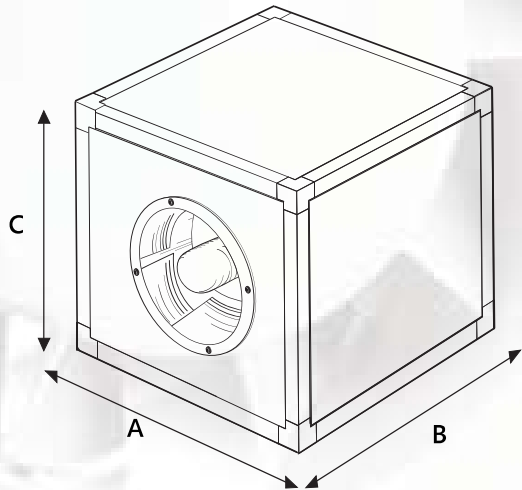
SPECIFICATIONS

Voltage [V]	Power [kW]	Current [A]	Frequency [Hz]	RPM	dBA	Temp min / max	Weight	IP 54
415	0.91	1.65	50	1300	55-60	50°C	72 Kg	IP 54

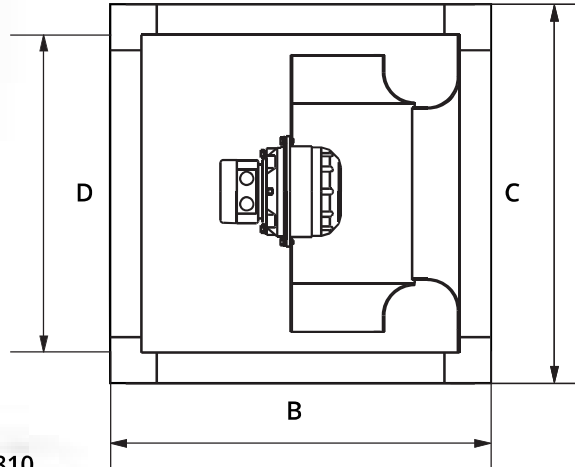


- U₁ Brown
- V₁ Blue
- W₁ Black
- U₂ Red
- V₂ Grey
- W₂ Orange
- TB White
- PE Yellow-Green

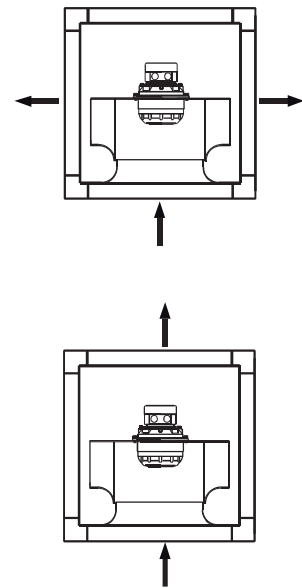
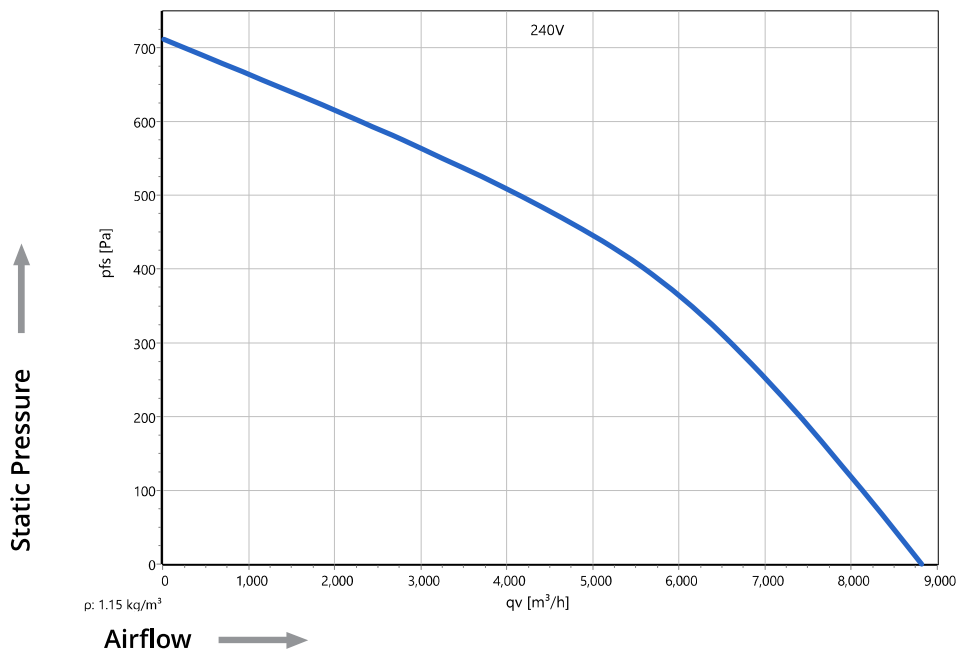
AM- BF- AC- 500 E



A = 810
B = 810

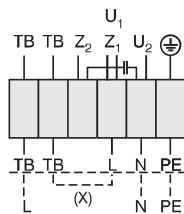


C = 810
D = 750



SPECIFICATIONS

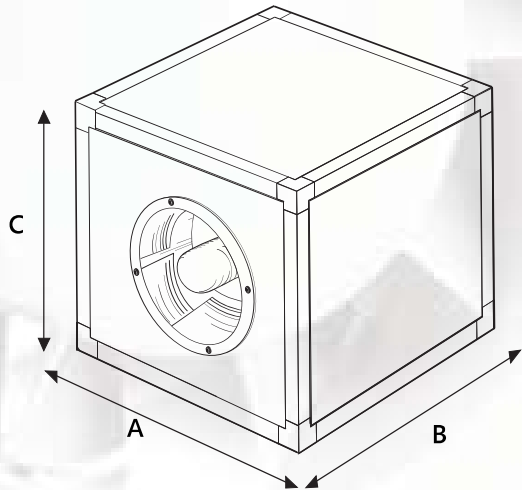
Voltage [V]	Power [kW]	Current [A]	Frequency [Hz]	Capacitor [μ F]	RPM	dBA	Temp min / max	Weight	IP 54
230	1.7	7.5	50	30	1290	60	-20°C + 40°C	104 Kg	IP 54



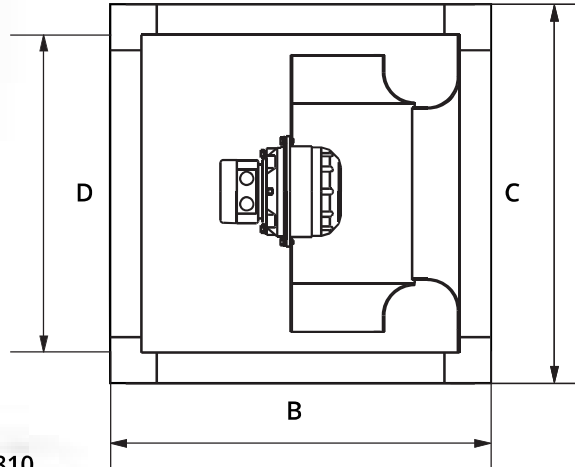
Clockwise

- U₁ Brown
- U₂ Blue
- Z₁ Black
- Z₂ Orange
- TB White
- PE Yellow-Green

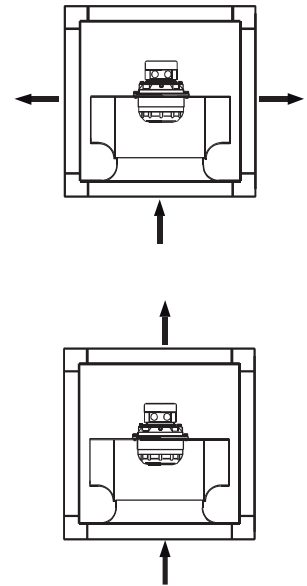
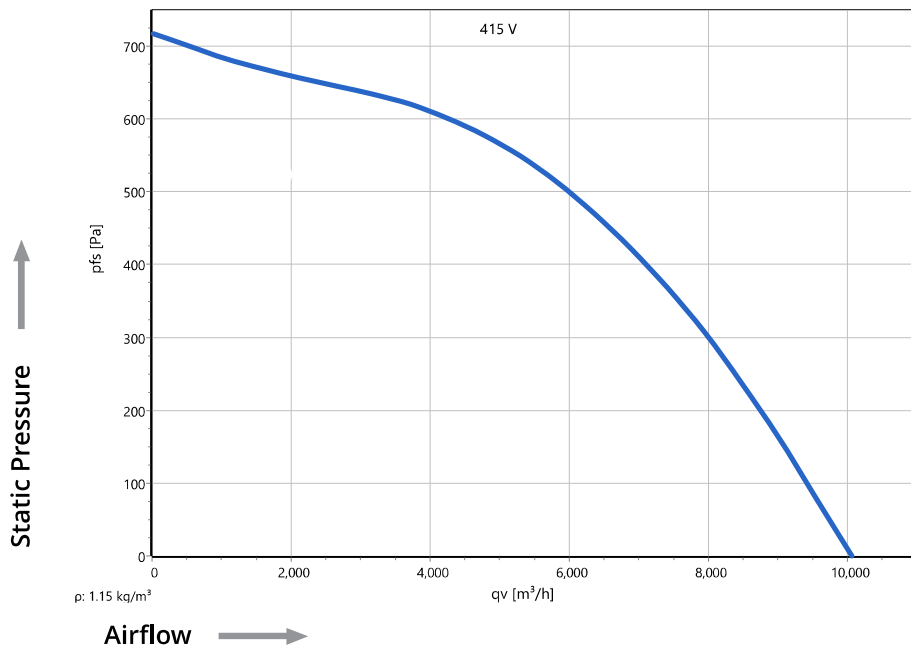
AM- BF- AC- 500 D



A = 810
B = 810

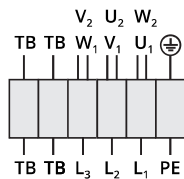


C = 810
D = 750



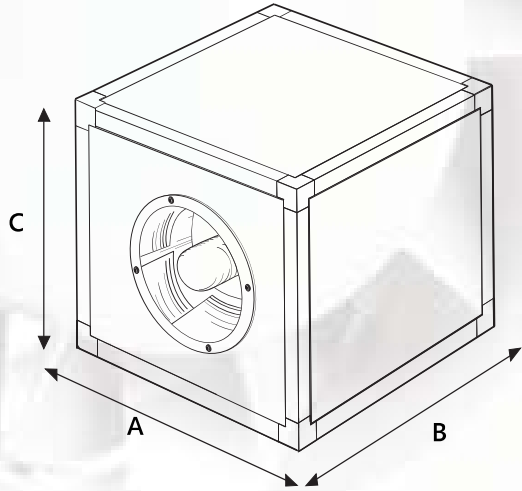
SPECIFICATIONS

Voltage [V]	Power [kW]	Current [A]	Frequency [Hz]	RPM	dBa	Temp min / max	Weight	IP 54
415	1.75	3.55	50	1380	60	50°C	104 Kg	

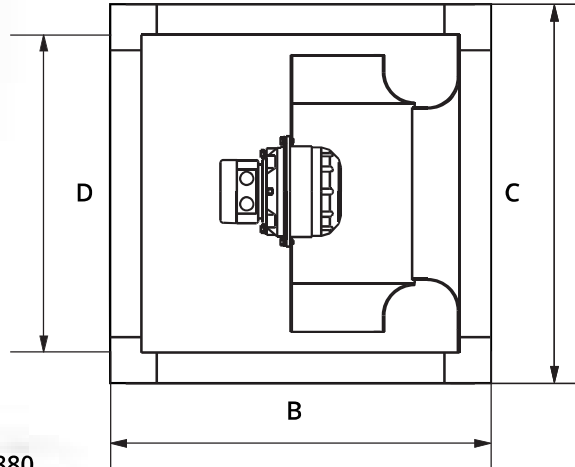


- U₁ Brown
- V₁ Blue
- W₁ Black
- U₂ Red
- V₂ Grey
- W₂ Orange
- TB White
- PE Yellow-Green

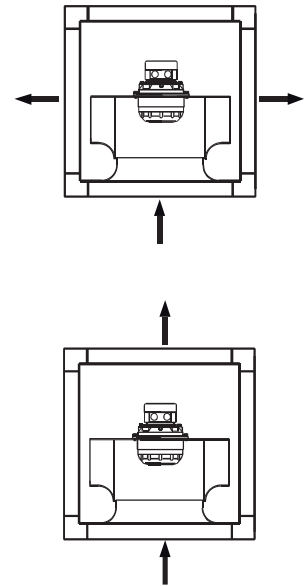
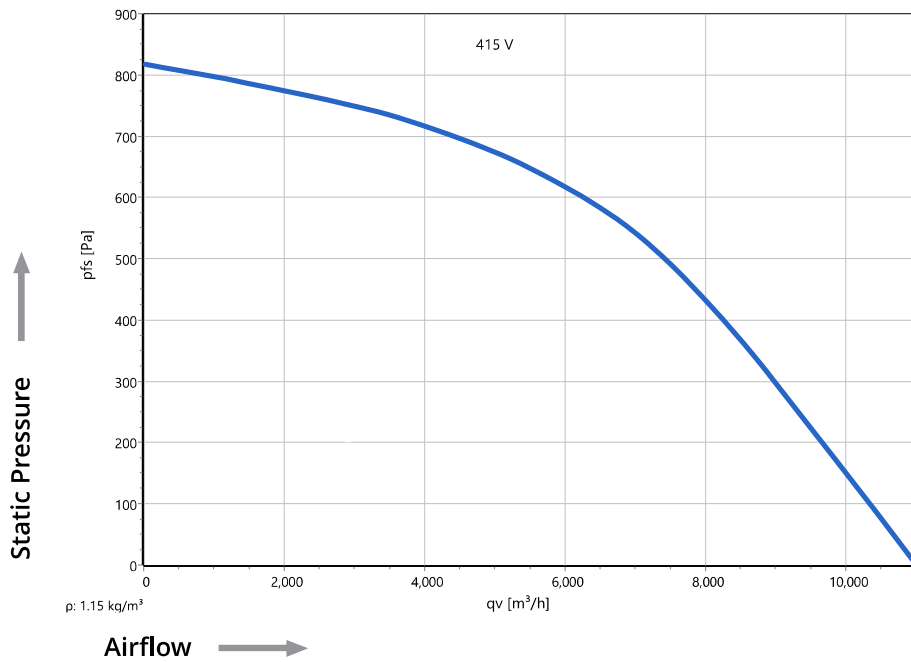
AM- BF- AC- 560



A = 880
B = 880

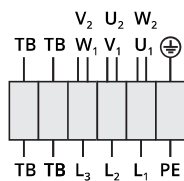


C = 880
D = 820



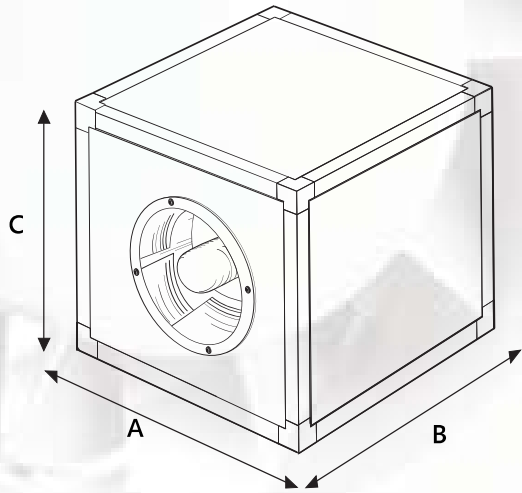
SPECIFICATIONS

Voltage [V]	Power [kW]	Current [A]	Frequency [Hz]	RPM	dBA	Temp min / max	Weight	IP 54
415	2.3	4.4	50	1350	65	50°C	144 Kg	

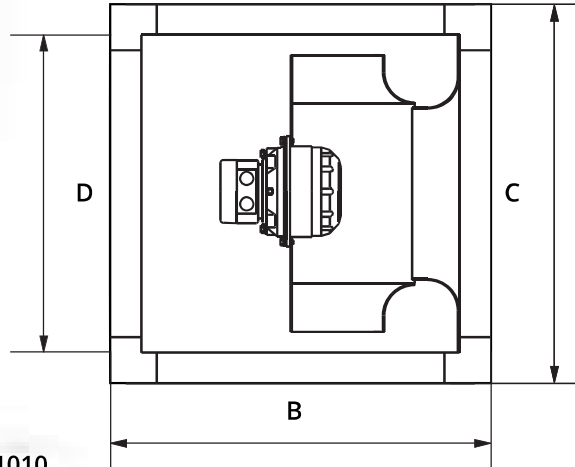


- U₁ Brown
- V₁ Blue
- W₁ Black
- U₂ Red
- V₂ Grey
- W₂ Orange
- TB White
- PE Yellow-Green

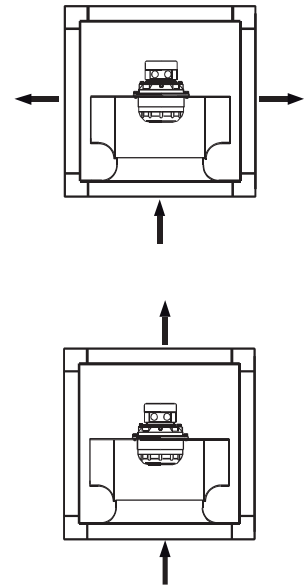
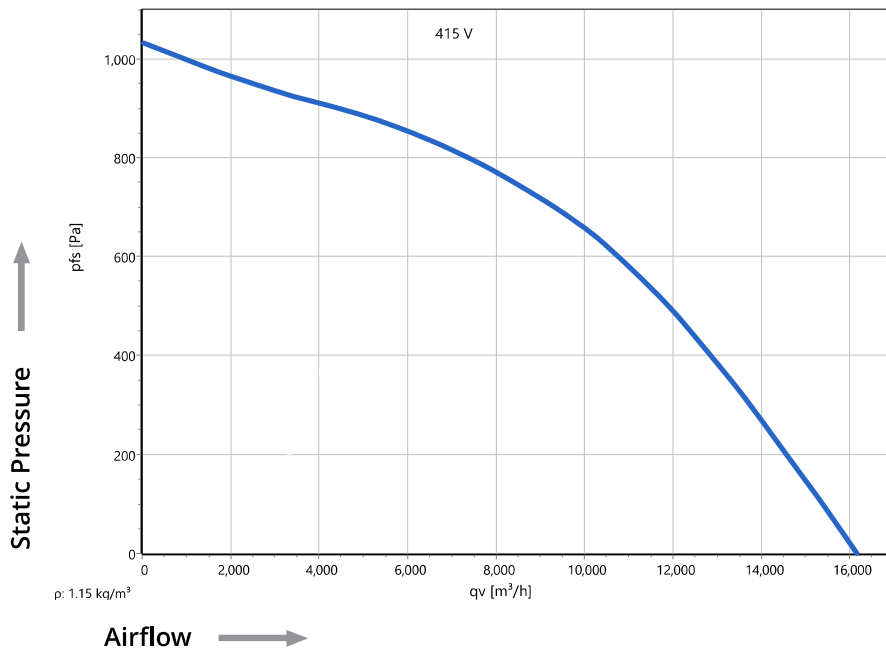
AM- BF- AC- 630



A = 1010
B = 1010

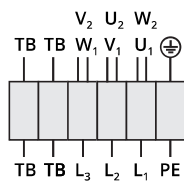


C = 1010
D = 950



SPECIFICATIONS

Voltage [V]	Power [kW]	Current [A]	Frequency [Hz]	RPM	dBA	Temp min / max	Weight	IP 54
415	4	6.9	50	1340	60-65	40°C	173 Kg	



- U₁ Brown
- V₁ Blue
- W₁ Black
- U₂ Red
- V₂ Grey
- W₂ Orange
- TB White
- PE Yellow-Green