



DIDW Cabinet Fans AM-CF

APPLICATION

Aire Maskin Cabinet fans (AM-CF Series) are specially designed for supply and exhaust ventilation of premises requiring high pressure, powerful air flow and low noise level. These fans are featured with wide capabilities and high performance.

The range includes capacity from 500 cfm to 3300 cfm with pressure range from 100 Pa to 400 Pa.

AREAS OF APPLICATIONS

Offices /Hotels / Bars /Industrial Buildings / Basement Rooms/Greenhouses /Parking Facilities / Warehouses Hospitals/Isolation Rooms / COVID Wards / Labs / Nursing Homes /Schools /Sports Halls/ Super Markets /Workshops / Residential Houses / Fitness Centres

DESIGN CASING

The housing is made of Zero Spangle with 120 to 275 GSM Sheets.

OPTION Heavy Duty Casing : Aluminium Profile with corners made of plastic.

Powder Coated Option with/without canopy Available.

ACOUSTIC

25mm thick high-grade acoustic egg-crate insulation, internally lined, for low noise applications.

MOTOR AND IMPELLERS

Dynamically balanced DIDW centrifugal fan with forward curved blades, driven by a direct driven squirrel cage induction motor.

WIRING

The junction / terminal box is affixed to the motor housing.

SPEED CONTROL

Smooth speed control is provided with 3 speed switch

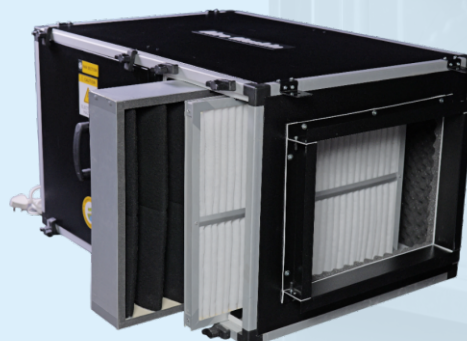
INSTALLATION & SERVICE

During Supply two side access doors are provided as standard to make the fan maintenance fast and easy.

FILTER

Filter fixing arrangement is provided as standard. 25 MM Thick EU4 filters supplied upon request.

FILTRATION OPTIONS



Pre Filter (MERV 8)

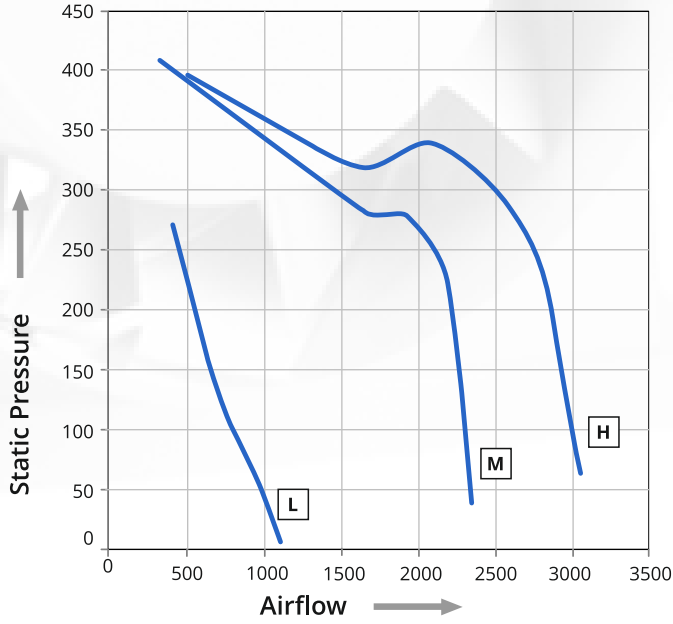
Fine Filter (MERV 13)

Activated Carbon Filter

TECHNICAL DATA

AM-CF/9x9									
Volt	Watt	RPM	Pole	IP	Phase	Hz	Class	AMP.	
230	370	1380/1330/1230	4	21	Single	50	F	4.7	

PERFORMANCE CURVES



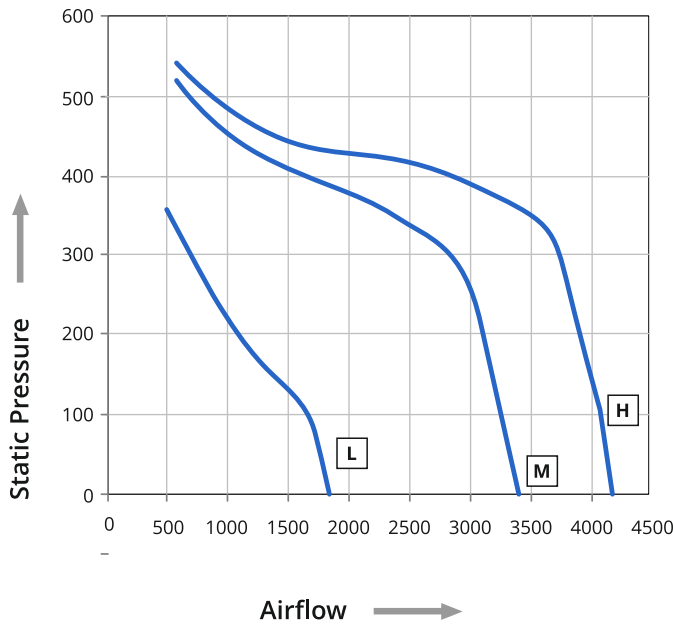
NOISE DATA (dBA) @ 3mt

NOISE	Low	Medium	High
Insulated	39	48	52

TECHNICAL DATA

AM-CF/10x10									
Volt	Watt	RPM	Pole	IP	Phase	Hz	Class	AMP.	
230	500	1350/1300/1200	4	21	Single	50	F	6.1	

PERFORMANCE CURVES



NOISE DATA (dBA) @ 3mt

NOISE	Low	Medium	High
Insulated	39	48	52

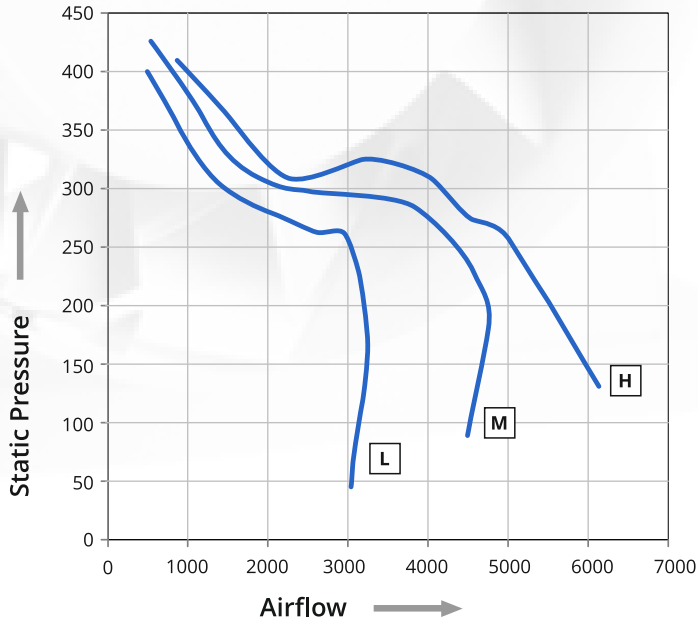
TECHNICAL DATA

AM-CF/12x12									
Volt	Watt	RPM	Pole	IP	Phase	Hz	Class	AMP.	
230	736	920/840/780	6	21	Single	50	F	7.6	

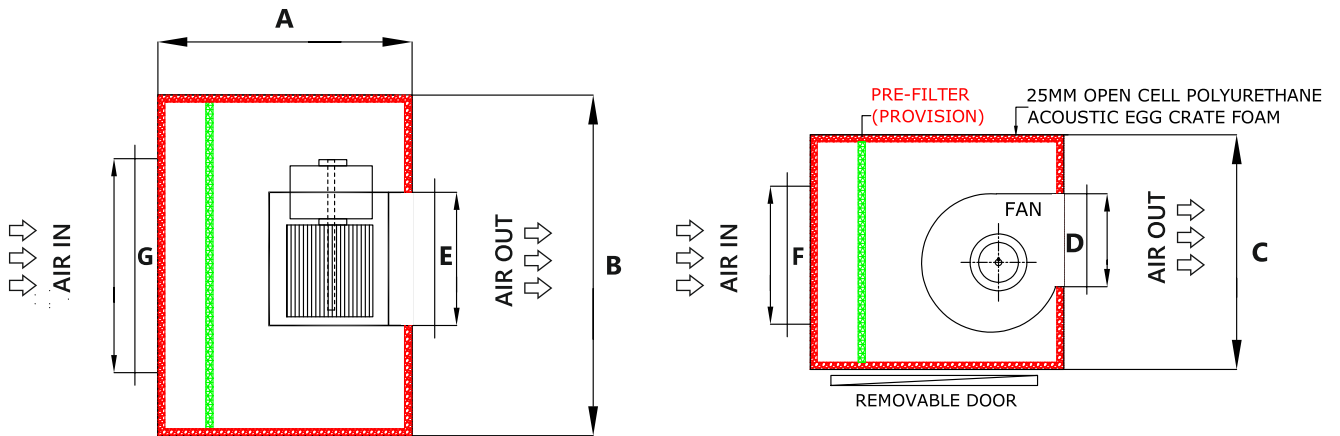
NOISE DATA (dBA) @ 3mt

NOISE	Low	Medium	High
Insulated	45	50	53

PERFORMANCE CURVES



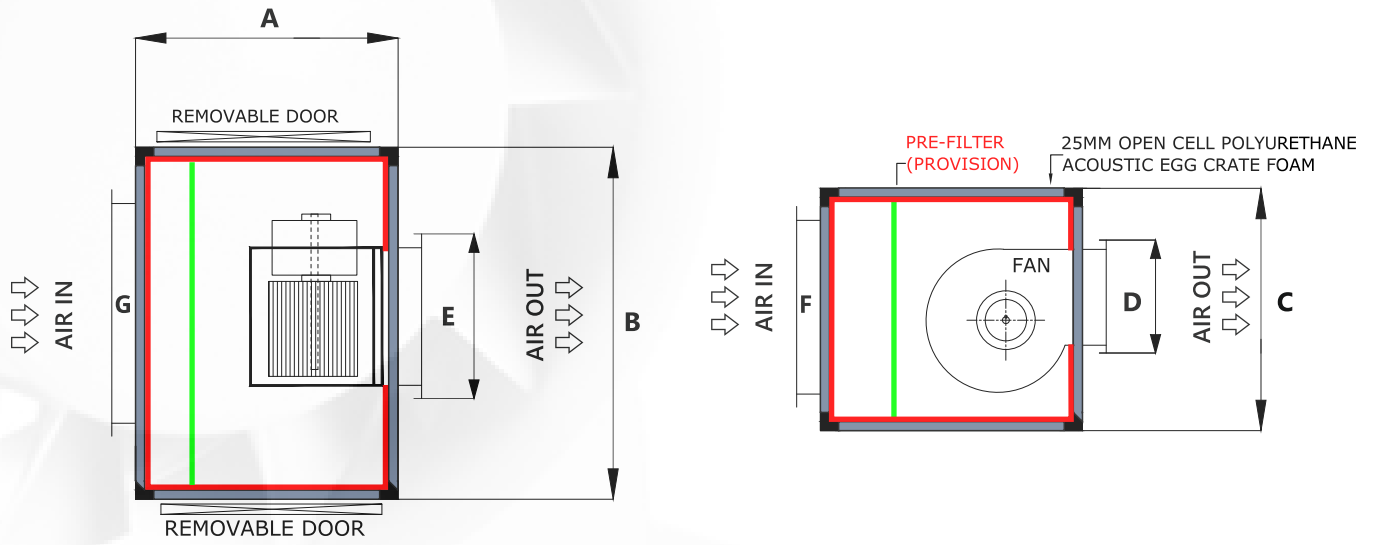
WITHOUT FRAME



DIMENSIONS

Model	Inlet	Outlet	A	B	C	D	E	F	G
AM-CF/9x9	300x300	262x298	550	600	500	262	298	300	300
AM-CF/10x10	400x400	289x331	600	650	550	289	331	400	400
AM-CF/12x12	450x450	341x395	650	750	630	341	395	450	450

WITH ALUMINUM FRAME



DIMENSIONS

Model	Inlet	Outlet	A	B	C	D	E	F	G
AM-CF/9x9	400x500	262x298	500	600	500	262	298	400	500
AM-CF/10x10	450x550	289x331	550	650	550	289	331	450	550
AM-CF/12x12	500x600	341x395	600	750	630	341	395	500	600