



# Metal Centrifugal fans AM-EC Series



## APPLICATION

EC Metal Centrifugal fans are extensively used for supply and exhaust ventilation systems of commercial, office and other premises. The AM-EC Series fan can cope with high pressure and long duct runs. These fans are compatible with Ø100 up to 315 mm round air ducts.

## FEATURES

### Material & Structure:

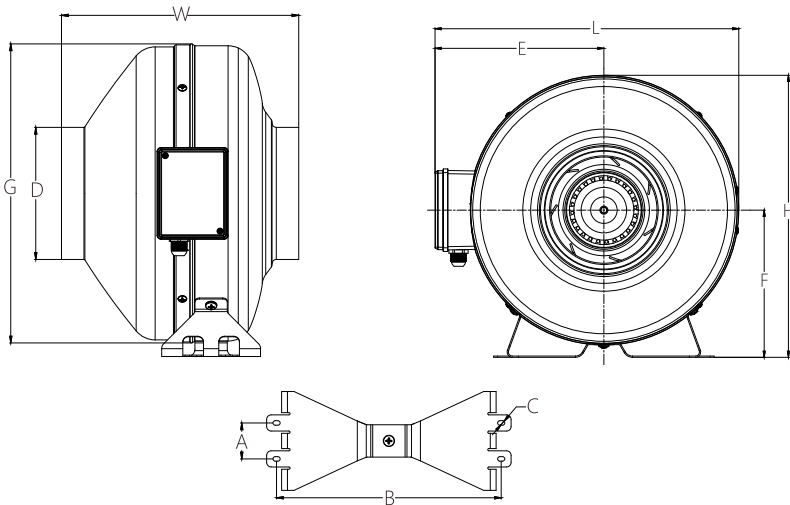
- Fan casing is made of heavy steel, with powder coat finish, aerodynamic design allowing larger air pressure and airflow.

- Brackets included for wall or ceiling mounted.
- Protection Grade : IP44
- Insulation Grade : F

### Motor & Control:


- 100% speed controllable and easy airflow adjustment
- EC motor with automatic reset thermal overload protection
- Permanently lubricated sealed bearings

## DIMENSIONS



MODEL AM-EC	A	B	ØC	ØD	E	F	ØG	L	W	H
125-C	36	166	5	123	163.5	136.5	244	285	198	258
150-C	40	250	5	147	208.5	181.5	333	375	264	348
200-C	40	250	5	197	208.5	181.5	333	375	242	348
315-C	50	270	5	313	243	215	403	444	253	416

## SPECIFICATIONS

MODEL	Voltage [V]	Power [W]	Current [A]	Airflow [m <sup>3</sup> /h]	dBA 3MT	Air Pressure [Pa]	RPM	Weight [Kgs]	
AM-EC-125-C	100~240	77	MAX 1.0	463	<30-<50	949	3000	3.2	IP 44
AM-EC-150-C	100~240	96	MAX 1.2	694	<30-<50	860	2500	4.3	IP 44
AM-EC-200-C	220~240	155	1.3	1193	<30-<50	1200	2850	5.2	IP 44
AM-EC-315-C	220~240	226	2.0	1785	<30-<50	1125	2800	6.6	IP 44

\*Note : The noise level data keeps on varies depending on set point.

Example : AM-EC-200-C Max Capacity is 1193 CMH / 700 CFM, if it runs in 10V noise is @ 50dB

now if set point is 850 CMH / 500 CFM it runs in 6.5V and noise is @ 40dB

