



## Compact Kitchen Exhaust / Fume Exhaust / Corrosion Resistant Fans **AM-KF-EX**

Direct Driven Kitchen exhaust / Fume Exhaust / Corrosion Resistant Compact Fans with direct driven 4 pole motor and backward curved impeller.

### APPLICATION

Kitchen exhaust, Fume exhaust, Corrosive chemical exhaust.

### FEATURES

#### Casing:

- Housing made of an Extruded Aluminium Anodized profile with corners made of high quality durable nylon.
- Double wall construction injected with polyurethane foam insulation 38-40 kg/m<sup>3</sup> density / 80kg/m<sup>3</sup> acoustic / high density Rockwool available.
- Standard panel thickness 25mm
- Outer PPGI sheet minimum 0.63 mm thick and inner 0.63 mm thick as standard.
- For Corrosive / Chemical Exhaust Outer PPGI sheet minimum 0.63 mm thick and inner casing of Stainless Steel 0.63 mm thick as standard. (to be ordered on request)
- Powder coated unit base, inlet and outlet flanges
- Bird Mesh provided at outlet flange

### IMPELLERS

Highly efficient Impeller made of aluminum (AlMg3) a seawater resistant alloy with 8 backward curved blades. Compact and flexible design. Fluidic optimized inlet cone made of galvanised sheet steel. Motorized Impeller statically and dynamically balanced according to DIN ISO 21940-11 Mounting with horizontal direct driven motor shaft.

### MOTOR

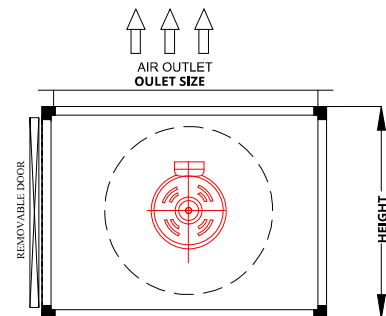
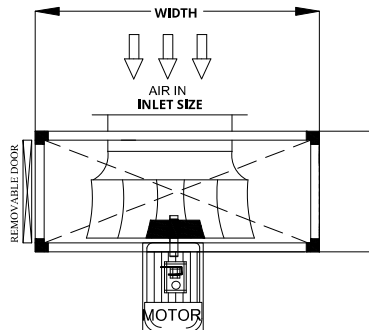
Direct driven 4 pole motor Siemens for high temperature / HEH / HAVELLS / CG / ABB equivalent. Motor outside air stream path IP 55 rated Motor suitable for outdoor installations

### INSTALLATION

During supply one side of casing is open attached with flange for connecting exhaust duct. Discharge possible in any direction i.e top, right side, left side exhaust.

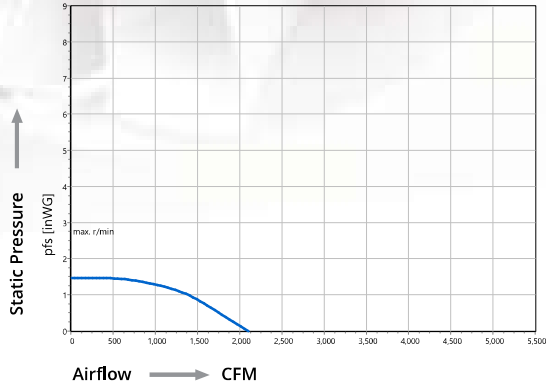
### MAINTENANCE

Panels can be accessed easily as fitted with butterfly knobs.

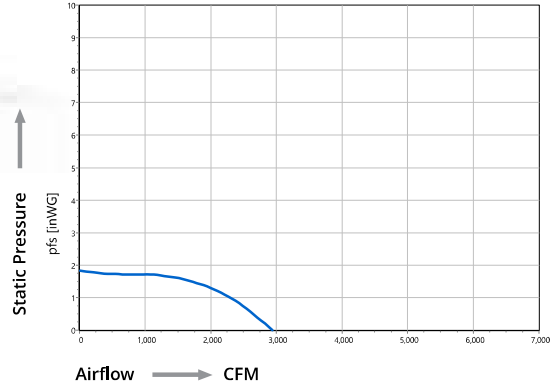


Unit Model AM-BF-KIT -EU	Air Volume (CFM)	Fan Dia	Motor (KW) / Class	Static (MM)	Length (MM)	Width (MM)	Height (MM)	Inlet Size		Outlet Size	
355	750	355	0.75/4P/H	35	280	630	630	400	400	220	570
400	1500	400	0.75/4P/H	40	310	700	700	450	450	250	640
450	2100	450	1.1/4P/H	45	330	780	780	500	500	280	720
500	3500	500	2.2/4P/H	55	370	860	860	550	550	320	800
560	5500	560	3.7/4P/H	60	400	970	970	610	610	355	910

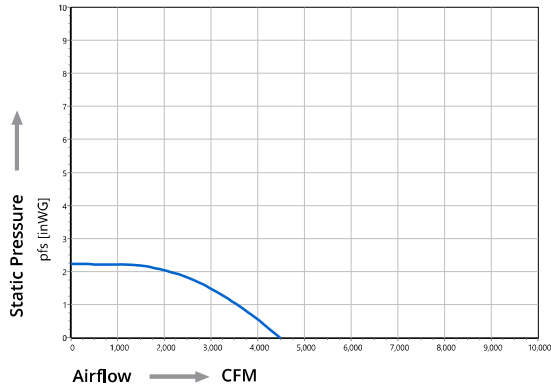
**AM-BF-KIT-EU 355**



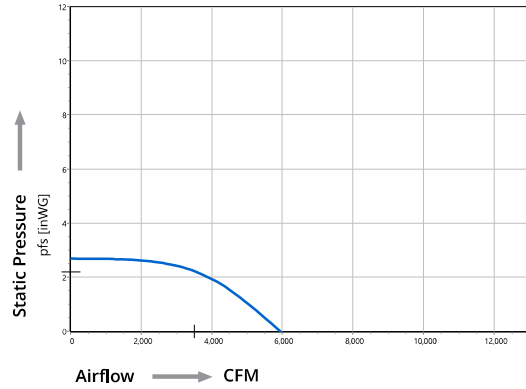
**AM-BF-KIT-EU 400**



**AM-BF-KIT-EU 450**



**AM-BF-KIT-EU 500**



**AM-BF-KIT-EU 560**

