



Propeller Fans AM-PF

AIRE MASKIN propeller fans are designed with high performance impeller and low energy demand external rotor motors. The AM PF Series axial fans offer a wide range of air supply and discharge applications. With high quality motor (IP 54 protection & Thermal class F Insulation) and impeller, we ensure that the customer gets the most reliable product. The life of each fan is estimated approximately 40,000 hours when the fan is running continuously at rated voltage and rated load.

Available in 10 Models to cater a CFM Range from 150 cfm to 6800 cfm.

APPLICATIONS

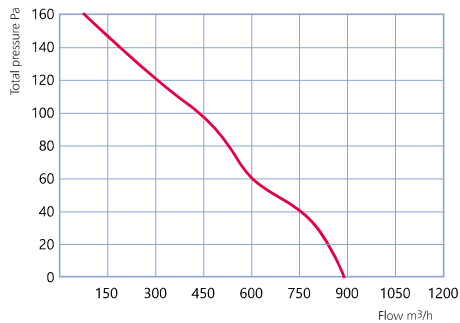
- Typically used for exhaust applications for buildings, warehouse, sports halls, schools, bathrooms, restaurants, DG Exhaust

FEATURES

- Tough epoxy paint to protect corrosion.
- Highly efficient external rotor motors
- High air volumes at low pressure
- All materials are ROHS compliant.
- Rotor: Die-Casting Aluminium
- Balancing of impeller and motor to Grade G6.3
- Leakage current: According to GB 12350
- Installation mode: Horizontal & Vertical
- Equipped with the overload protection function, to prevent motor from heating
- Operating temperature range: -30 to +60 degree Celsius with Operating humidity range: 0% to 95% RH

AM-PF 200A

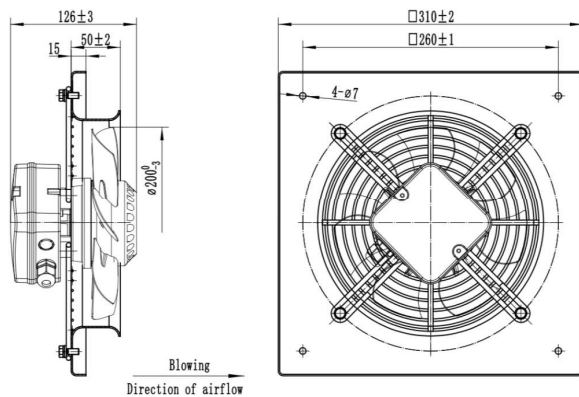
PRESSURE / FLOW



TECHNICAL DATA

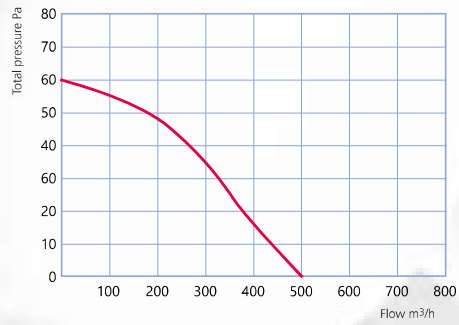
AM-PF	200A
Voltage, V	230 / 50Hz
Current	0.30
Input,	65
Speed, rpm	2300
Weight, kg	3,0
Sound power dB	53
Capacitor, μF	2
Insulation class, motor	F
Motor protection	IP 44

OVERALL DIMENSIONS

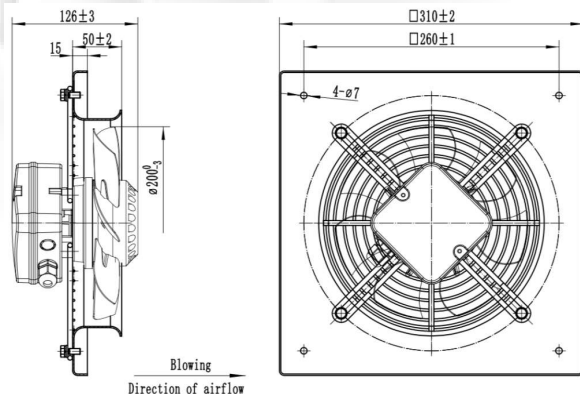


AM-PF 200A

PRESSURE / FLOW



OVERALL DIMENSIONS

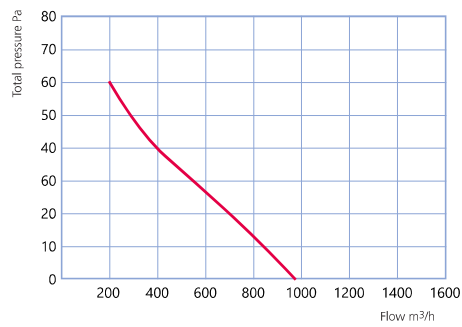


TECHNICAL DATA

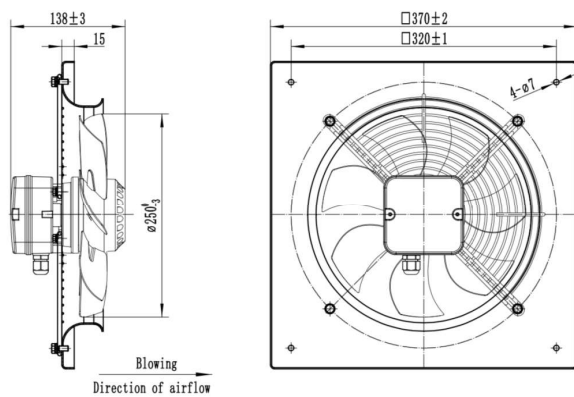
AM-PF	200A
Voltage, V	230 / 50Hz
Current	0.15
Input,	30
Speed, rpm	1400
Weight, kg	3,0
Sound power dB	42
Capacitor, µF	2
Insulation class, motor	F
Motor protection	IP 44

AM-PF 250A

PRESSURE / FLOW



OVERALL DIMENSIONS

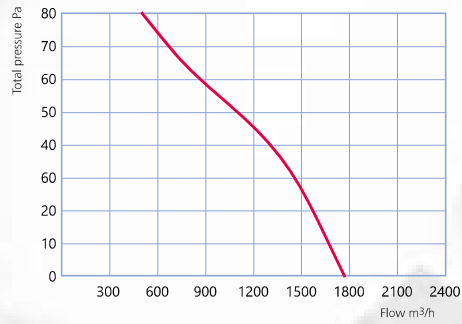


TECHNICAL DATA

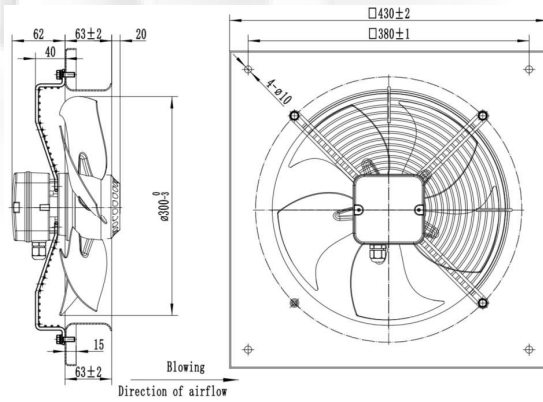
AM-PF	250A
Voltage, V	230 / 50Hz
Current	0.25
Input,	50
Speed, rpm	1400
Weight, kg	3,8
Sound power dB	53
Capacitor, µF	2
Insulation class, motor	F
Motor protection	IP 44

AM-PF 300A

PRESSURE / FLOW



OVERALL DIMENSIONS

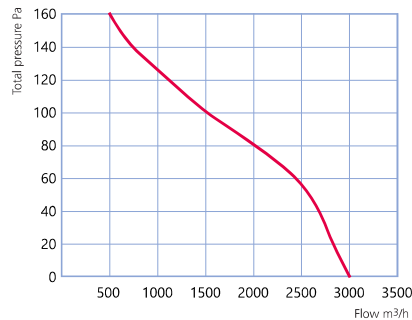


TECHNICAL DATA

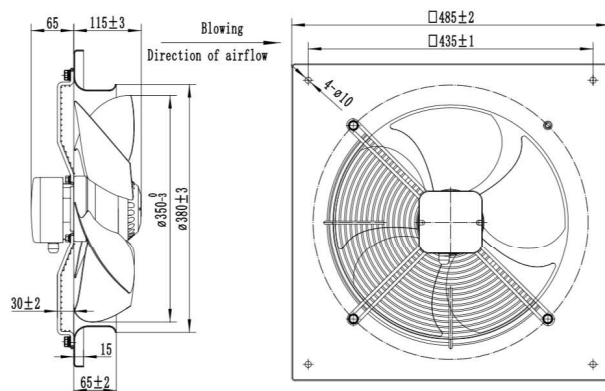
AM-PF	300A
Voltage, V	230 / 50Hz
Current	0.42
Input,	90
Speed, rpm	1350
Weight, kg	5,2
Sound power dB	54
Capacitor, μ F	3
Insulation class, motor	F
Motor protection	IP 44

AM-PF 350A

PRESSURE / FLOW



OVERALL DIMENSIONS

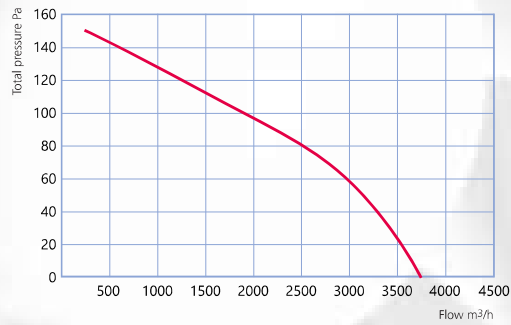


TECHNICAL DATA

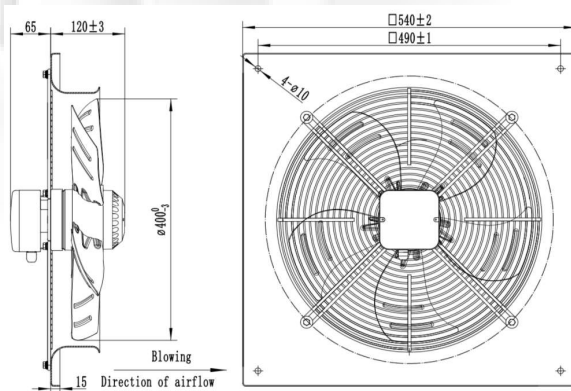
AM-PF	350A
Voltage, V	230 / 50Hz
Current	0.80
Input,	160
Speed, rpm	1370
Weight, kg	6,3
Sound power dB	59
Capacitor, μ F	5
Insulation class, motor	F
Motor protection	IP 44

AM-PF 400A

PRESSURE / FLOW



OVERALL DIMENSIONS

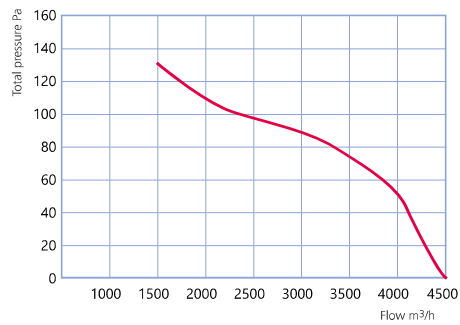


TECHNICAL DATA

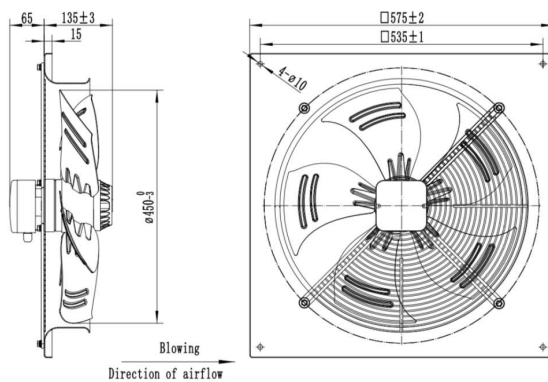
AM-PF	400A
Voltage, V	230 / 50Hz
Current	0.90
Input,	180
Speed, rpm	1350
Weight, kg	8,0
Sound power dB	60
Capacitor, μ F	6
Insulation class, motor	F
Motor protection	IP 44

AM-PF 450A

PRESSURE / FLOW



OVERALL DIMENSIONS

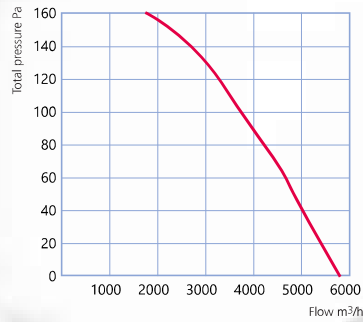


TECHNICAL DATA

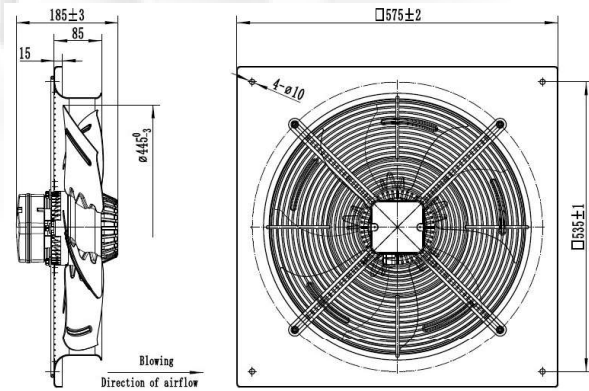
AM-PF	450A
Voltage, V	230 / 50Hz
Current	1.10
Input,	250
Speed, rpm	1350
Weight, kg	10,0
Sound power dB	62
Capacitor, μ F	7
Insulation class, motor	F
Motor protection	IP 44

AM-PF 450A (380W)

PRESSURE / FLOW



OVERALL DIMENSIONS

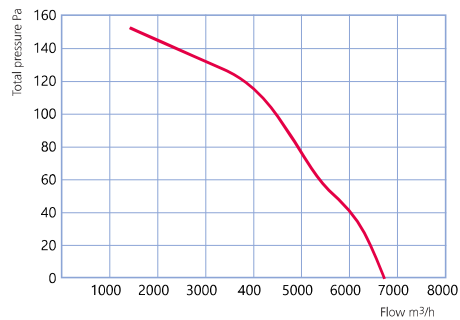


TECHNICAL DATA

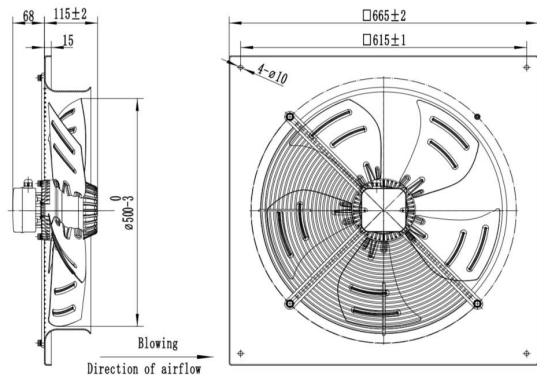
AM-PF	450A
Voltage, V	230 / 50Hz
Current	1.75
Input,	380
Speed, rpm	1350
Weight, kg	11,5
Sound power dB	66
Capacitor, μF	10
Insulation class, motor	F
Motor protection	IP 44

AM-PF 500A

PRESSURE / FLOW



OVERALL DIMENSIONS

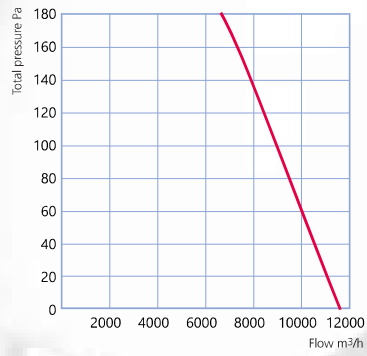


TECHNICAL DATA

AM-PF	500A
Voltage, V	230 / 50Hz
Current	1.90
Input,	420
Speed, rpm	1320
Weight, kg	14,0
Sound power dB	69
Capacitor, μF	10
Insulation class, motor	F
Motor protection	IP 44

AM-PF 630A

PRESSURE / FLOW



TECHNICAL DATA

AM-PF	630A
Voltage, V	230 / 50Hz
Current	3.70
Input,	800
Speed, rpm	1350
Weight, kg	22,0
Sound power dB	75
Capacitor, μ F	16
Insulation class, motor	F
Motor protection	IP 44

OVERALL DIMENSIONS

